



EoL

END OF LINE

AG360 AUTOMATICALLY GUIDED ROBOTIC STRETCH WRAPPER



Battery power provides maximum portability & flexibility

The Orion AG360 is the stretch wrapping solution for maximum flexibility in your pallet unitizing operation. The battery operated AG360 is fully portable and can be easily driven to wherever it's needed to stretch wrap your pallets. You can also bring the load to the robot location if desired.

Because the AG360 uses a spring-loaded "follow" wheel, there is no limit to the size (or weight) of pallet loads to be wrapped.

Specially designed high capacity batteries along with Orion's exclusive PowerSave™ alert feature assures that you'll always have enough battery power to drive the unit to the charging station. A battery level meter is also displayed on the control panel.

FEATURES AND BENEFITS

- Wrap approx. 30 loads per hour or 300 loads per charge*
- Automatic film cut off at cycle end
- Deluxe color touch screen HMI
- Program up to 10 wrap recipes
- Adjustable film prestretch: 200% or 300%
- Automatic load height sensing photoeye
- Adjustable film tension (force to load)

*Wrapping capacity is variable depending on load size, top wrap count, bottom wrap count, carriage speed, film tension, and environmental conditions.



AG360 AUTOMATICALLY GUIDED ROBOTIC STRETCH WRAPPER

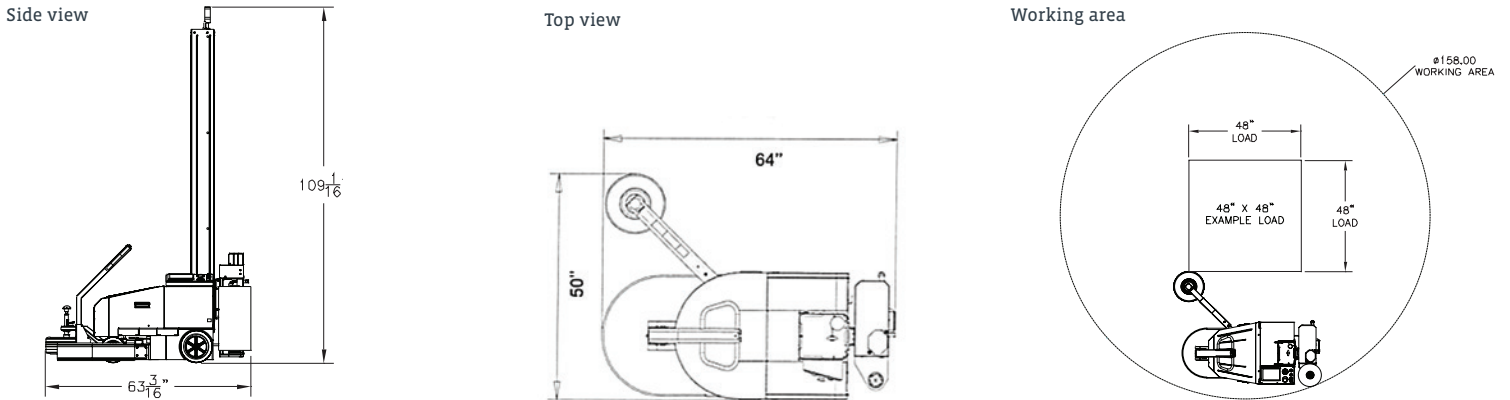
TYPICAL PRODUCT SPECIFICATIONS

Max. Load Size	Unlimited
Min. Load Size	24" W x 24" L
Max. Load Weight	Unlimited
Min. Load Weight	Approx. 100 lbs. depending on load type
Max. Load Height	95"
Min. Load Height	Approx. 24"

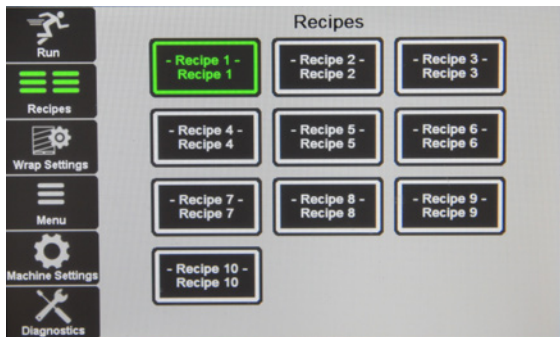
Film Tension	Adjustable on HMI
Powered Prestretch Rate	Adjustable on Carriage 200% or 300%
Control Voltage	24V
Battery Life	Approx. 30 Loads per hour or 300 Loads per charge*
Stretch Film	20" roll size up to 110 gauge
Warranty	1 Year on all components unlimited cycles

* Wrapping capacity is variable depending on load size, top wrap count, bottom wrap count, carriage speed, film tension, and environmental conditions.

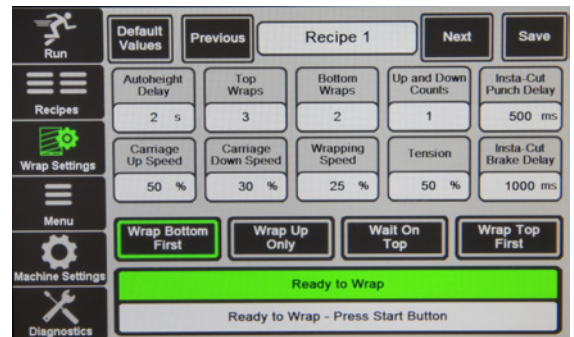
CONFIGURATION



MENU DRIVEN OPERATING SYSTEM



10 wrap recipes are available. Password protection prevents operators from making unauthorized changes to wrap settings.



Separate up and down speeds provides better control of wrap cycle.