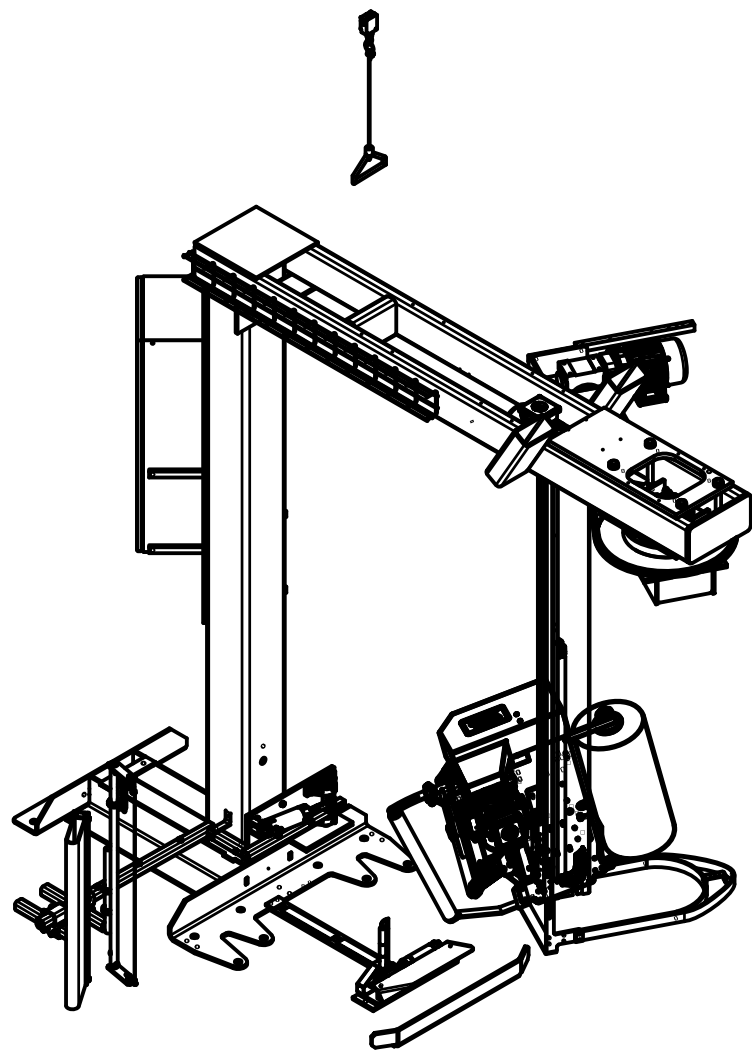


RTD



RTA

SH	DWGDESC	DWGDESC2	DWGDESC3	FILENAME
1	COVER PAGE			PG1
2	120VAC POWER DROP	AND DISTRIBUTION	100/200	PG2
3	120VAC VFD		300/400	PG3
4	24VDC SUPPLY	AND DISTRIBUTION	20000/20100	PG4
5	START/STOP CIRCUIT		20200	PG5
6	LIGHT CURTAINS		20300/20400	PG6
7	2080-L50E-24QWB	INPUTS/OUTPUTS	30100/30200	PG7
8	PLUG-IN SLOTS 1 & 2	2080-IQ4/BLANK	30300/30400	PG8
9	PLUG-IN SLOT 3	BLANK	30500/30600	PG9
10	EXPANSION SLOTS	2085-IQ16/2085-QW16	30700/30800	PG10
11	CARRIAGE I/O BLOCK	STANDARD LAYOUT		PG11
12	CARRIAGE I/O BLOCK	WITH OPTIONS		PG12
13	PNEUMATIC	SCHEMATIC	60100	PG13
14	(CPI) BACKPANEL AND	PANEL BOM		PG14
15	(CPI) ENCLOSURE AND	CUTOUTS		PG15
16	MACHINE FIELD AND	CARRIAGE BOM		PG16
17	REMOTE E-STOP/START			PG17
18	FRAME ENCLOSURE	PANEL LAYOUT		PG18
19	FRAME	ENCLOSURE		PG19

WIRING COLOR AND SIZE
 120VAC (RED) 14 AWG MINIMUM
 NEUTRAL (WHITE) 14 AWG MINIMUM
 GND (GREEN/YELLOW) 14 AWG MINIMUM
 +24VDC (BLUE) 18 AWG MINIMUM
 DC COMMON (WHITE/BLUE) 18 AWG MINIMUM
 CABLE COLORS AND GAUGE ARE LISTED IN PRINTS

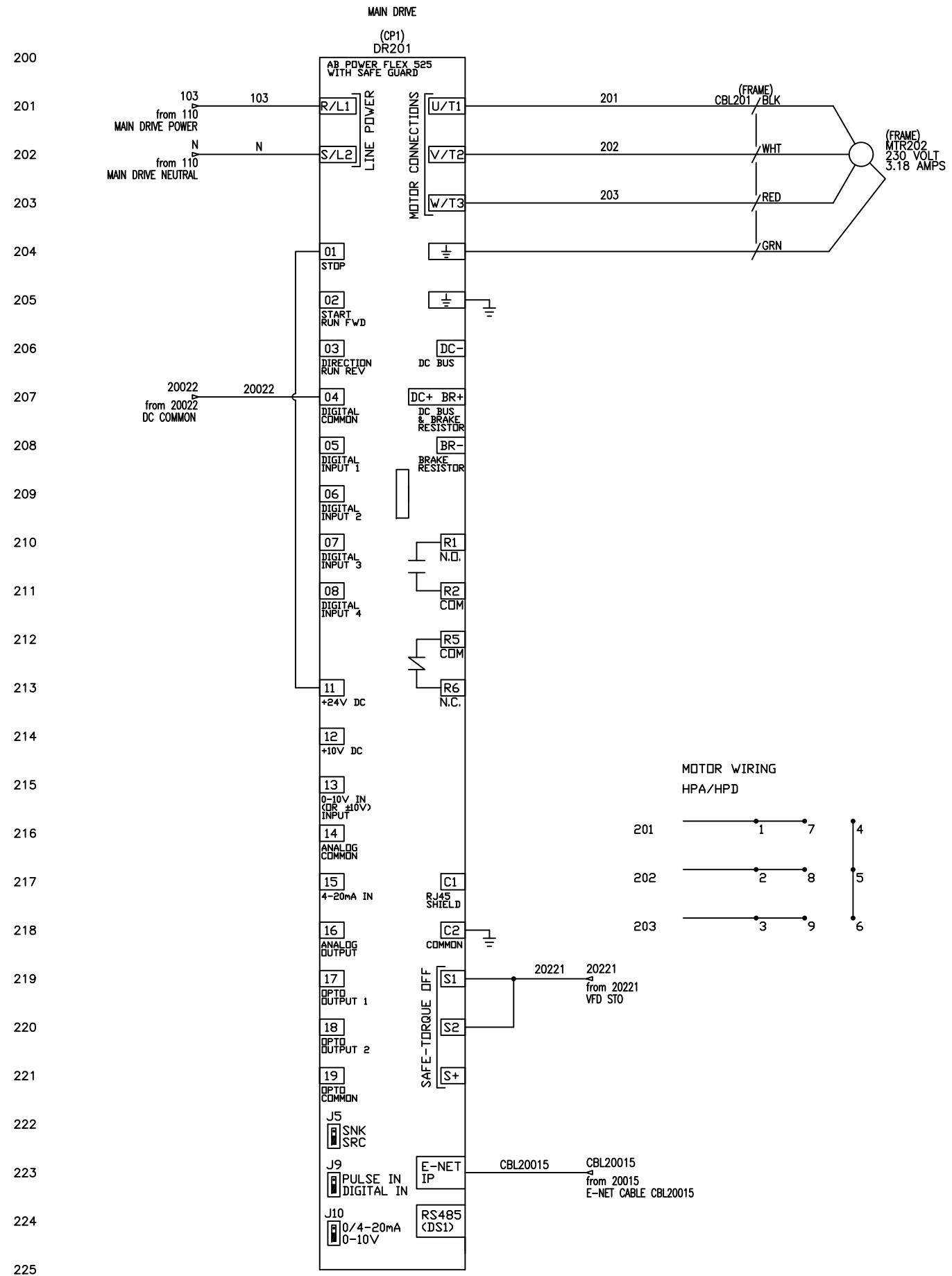
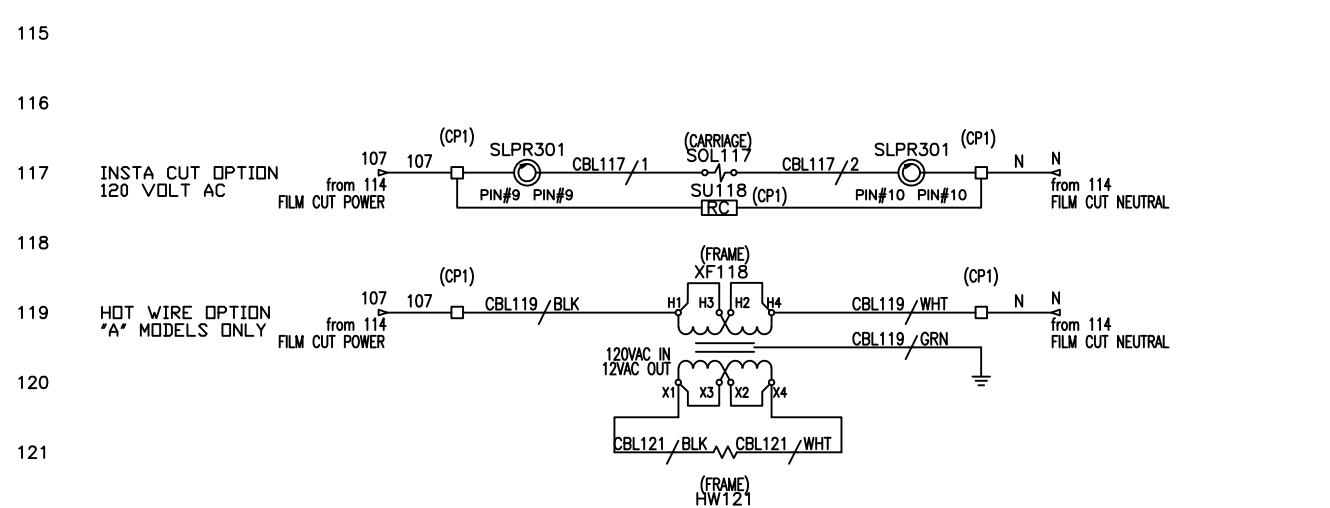
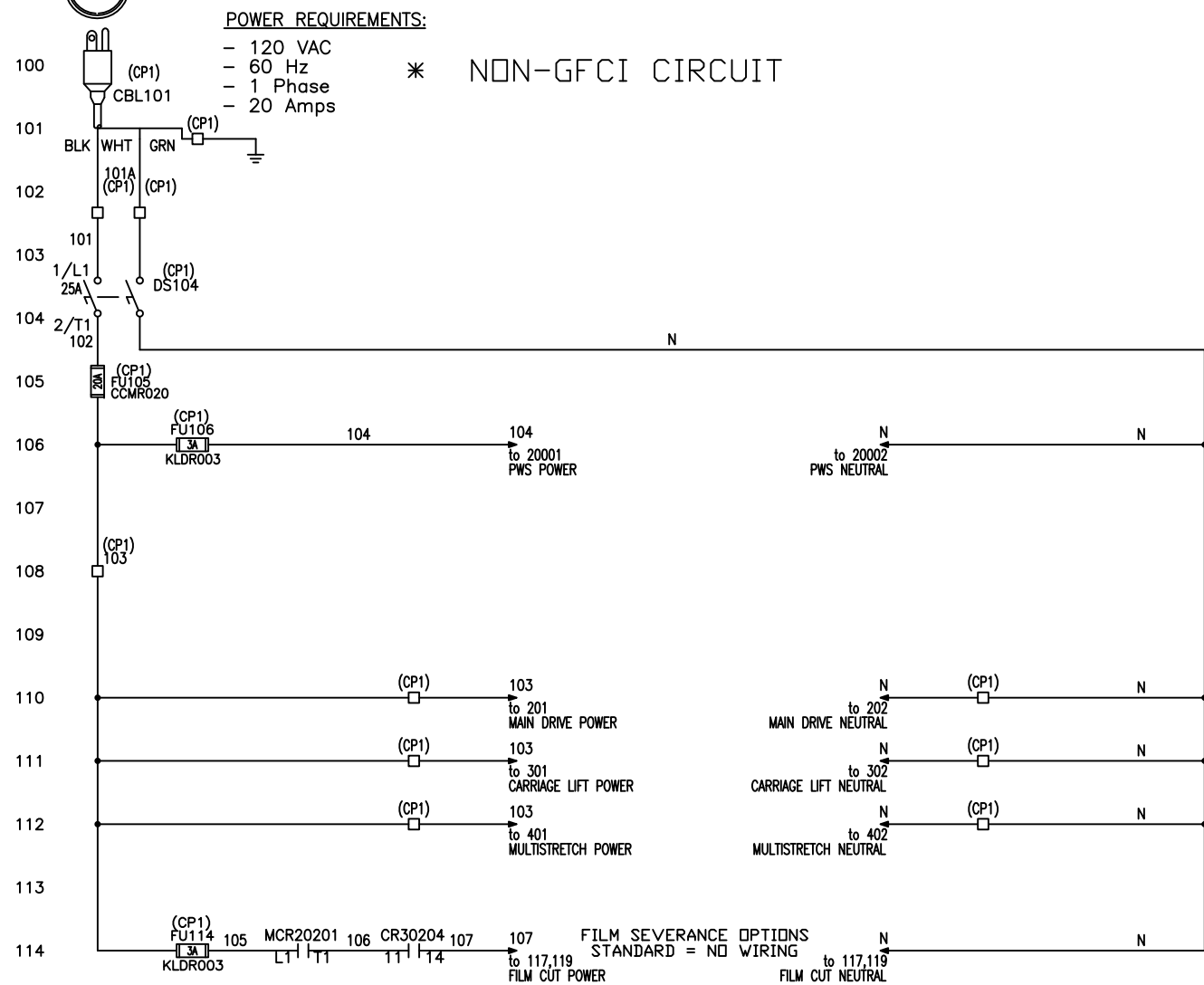
ORION, a ProMach product brand
 4750 County Road 13 NE
 Alexandria, MN 56308
 PH 800-535-2730

DWG TITLE
**FLEX (STANDARD)
 RTA/RTD
 COVER PAGE**

- NOTES
- SILICONE BASE PRODUCTS SHALL NOT BE USED ANYWHERE IN THIS ASSEMBLY.
 - ALL FIELD CONTROL WIRE TO BE A MINIMUM 14 AWG 75C COPPER, UNLESS OTHERWISE NOTED.
 - ALL CONDUIT HUB RATINGS MUST BE EQUAL TO OR SURPASS THE ASSEMBLY ENVIRONMENT RATING.
 - WHEN ORDERING REPLACEMENT PARTS, PLEASE SUPPLY THE JOB NUMBER AS SHOWN INSIDE THE CONTROL PANEL DOOR.
 - MANUFACTURERS OF COMPONENTS USED IN THIS ASSEMBLY ARE SUBJECT TO CHANGE WITHOUT NOTICE.
 - THIS DOCUMENT IS THE PROPERTY OF THE END USER, PLEASE DO NOT REMOVE FROM THE ELECTRICAL CONTROL ENCLOSURE.
 - ALL WIRES CONNECTED TO THE B&R X20 IO MUST HAVE FERRULS.

ENGINEER	CHECKED BY
JOB NO 758112	DRAWN BY DRV
SCALE NO SCALE	DATE 9/13/2022
DWG NO 758112-R	
SHEET NO 1 OF 19	

C:\Users\dwappi\Desktop\Elec_Design\Open Projects\Micro850 Flex Prints\Micro850 RTA\Prints\PG1.dwg

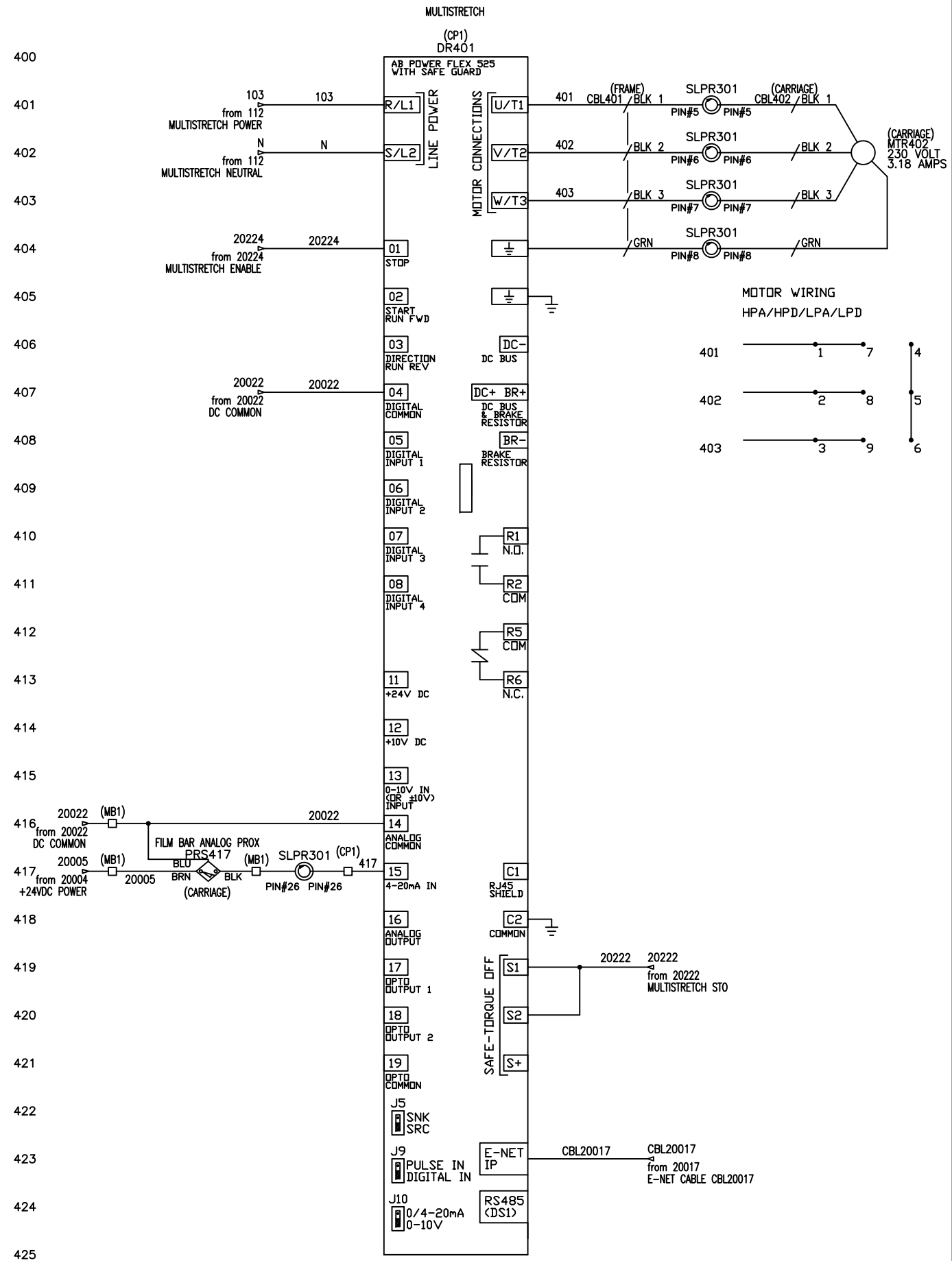
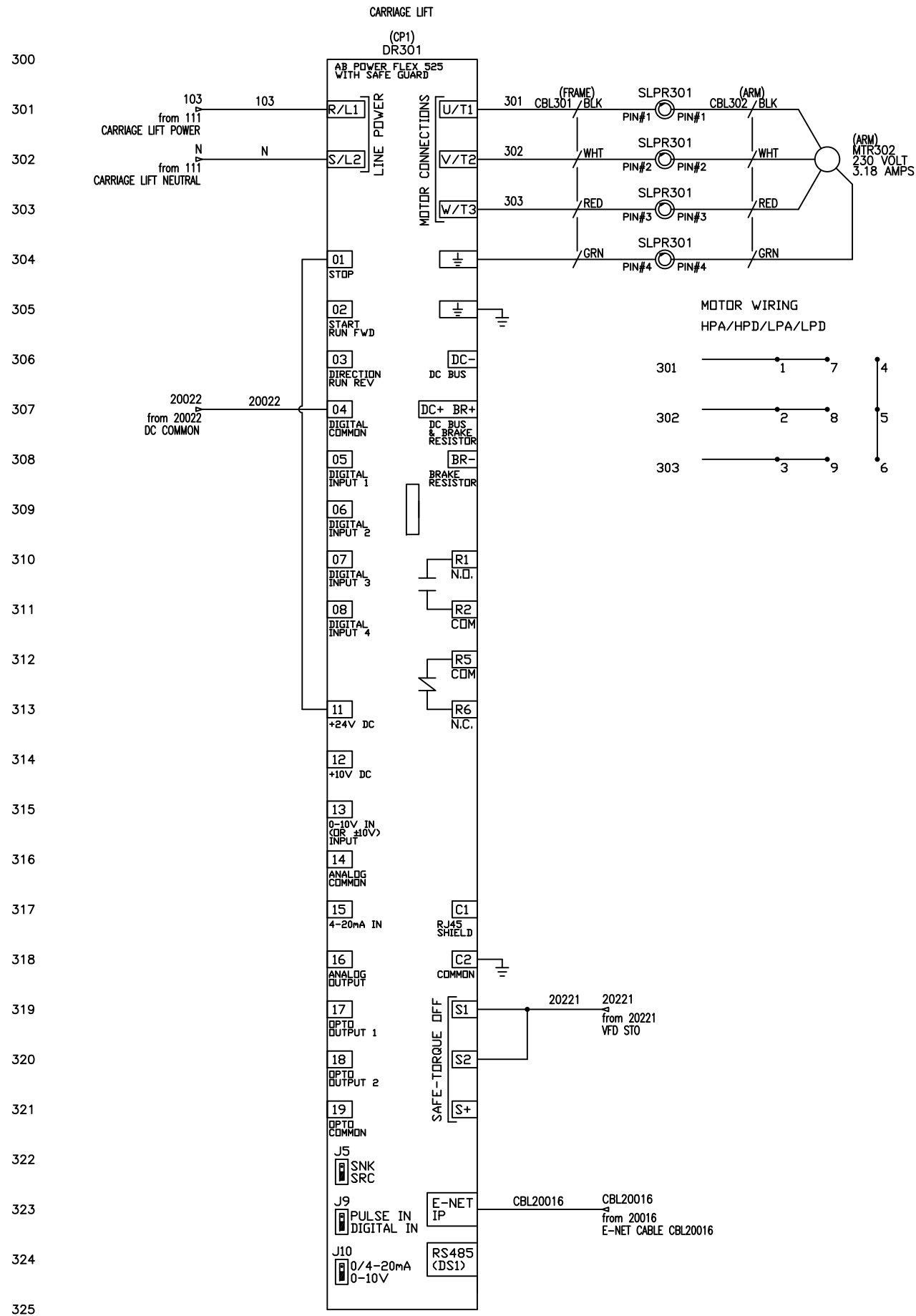


NOTE: SET J5 SNK/SRC DIP SWITCH TO SRC

ORION, a ProMach product brand
 4750 County Road 13 NE
 Alexandria, MN 56308
 PH 800-535-2730

DWG TITLE	
FLEX (STANDARD) RTA/RTD 120VAC POWER DROP AND DISTRIBUTION	
ENGINEER	CHECKED BY
JOB NO 758112	DRAWN BY DRV
SCALE NO SCALE	DATE 9/13/2022
DWG NO 758112-R	
SHEET NO 2 OF 19	

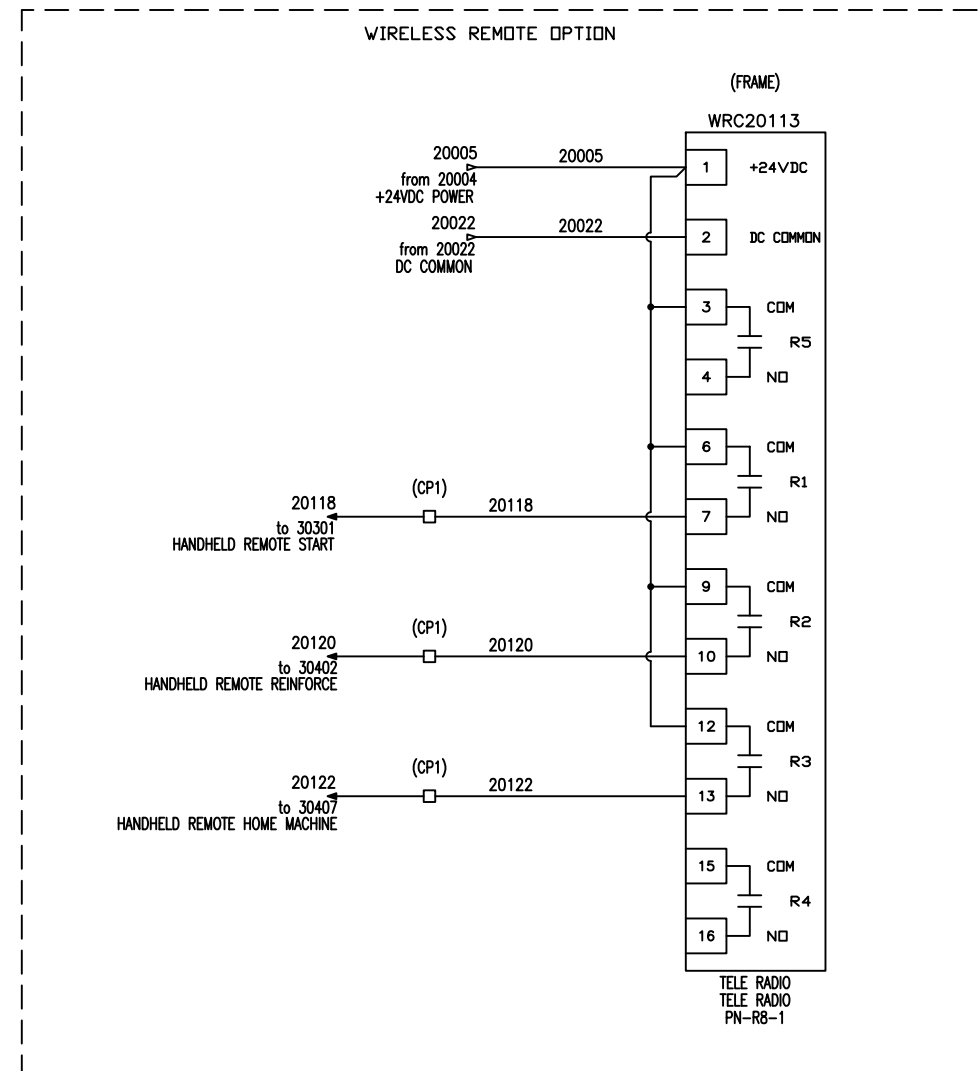
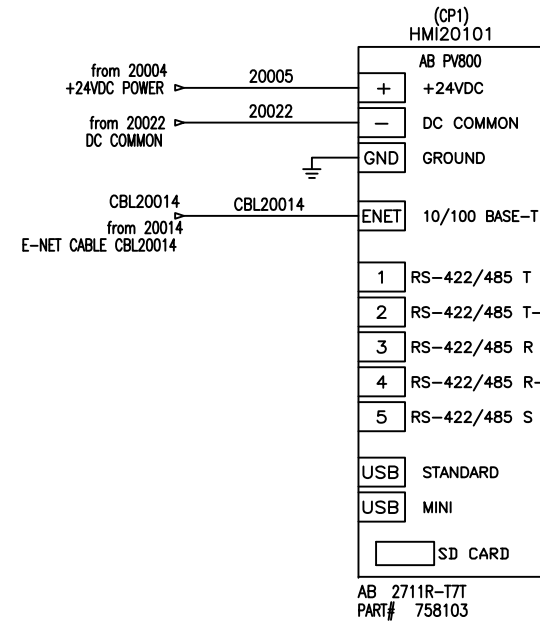
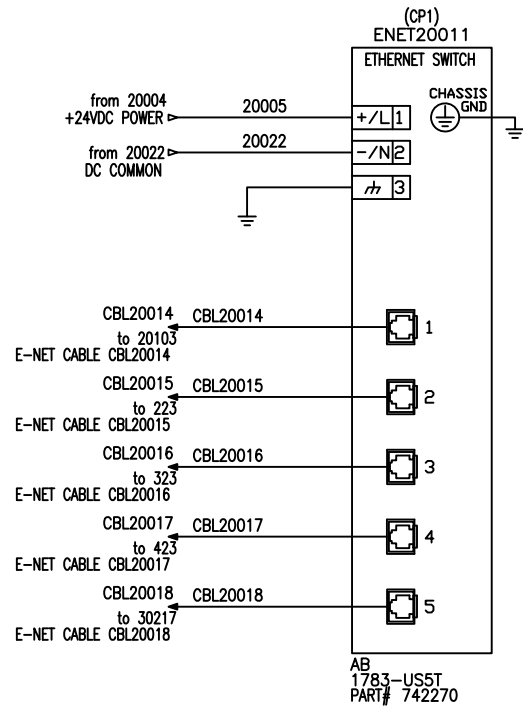
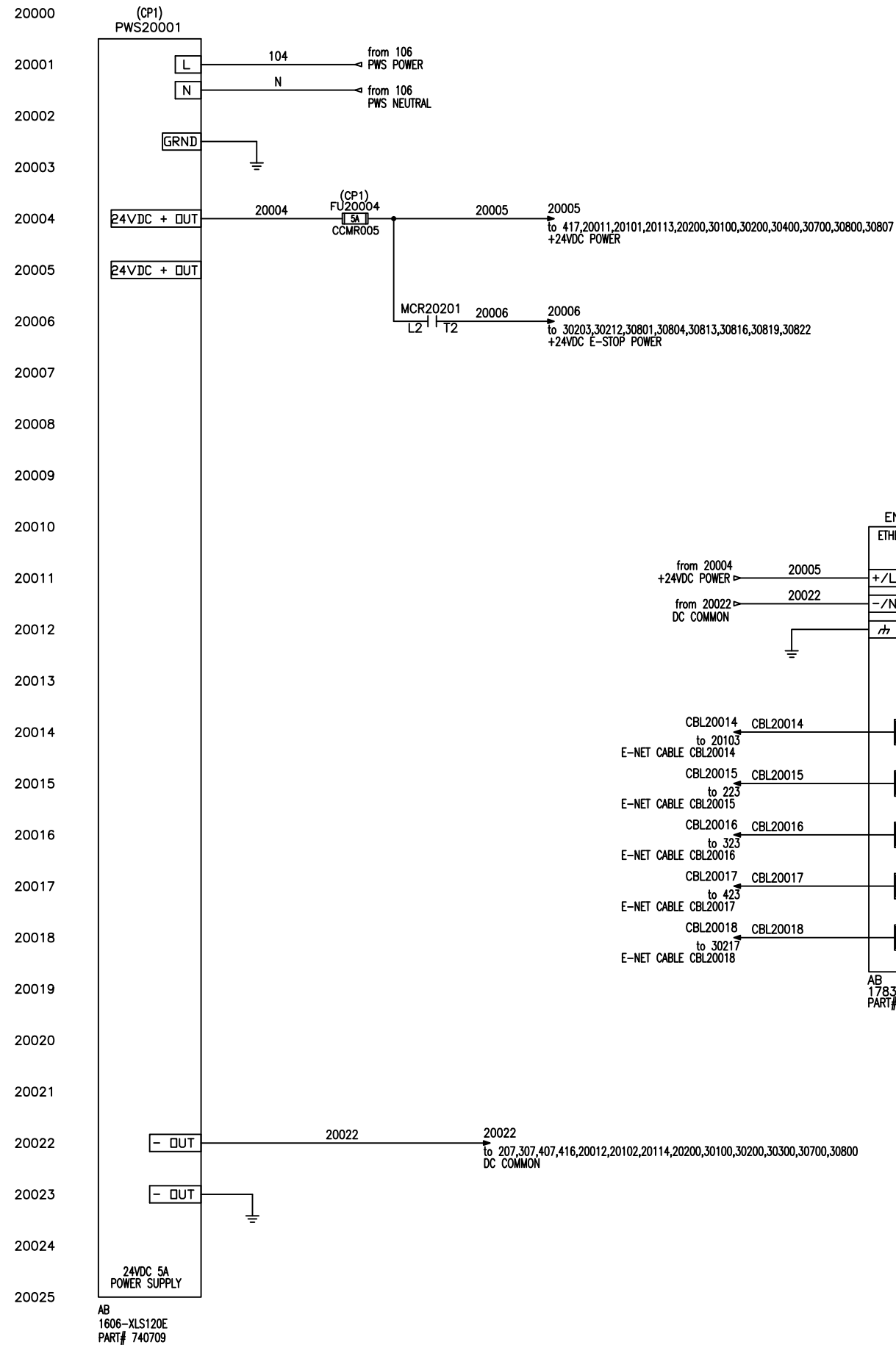
C:\Users\jvappi\Desktop\Elec_Design\Open Projects\Micro850 Flex Prints\Micro850 RTA\Prints\p02.dwg



ORION, a ProMach product brand
 4750 County Road 13 NE
 Alexandria, MN 56308
 PH 800-535-2730

DWG TITLE	
FLEX (STANDARD) RTA/RTD 120VAC VFD	
ENGINEER	CHECKED BY
JOB NO 758112	DRAWN BY DRV
SCALE NO SCALE	DATE 9/13/2022
DWG NO 758112-R	
SHEET NO 3 OF 19	

C:\Users\jvappi\Desktop\Elec_Design\Open Projects\Micro850 Flex Prints\Micro850 RTA\Prints\PG3.dwg

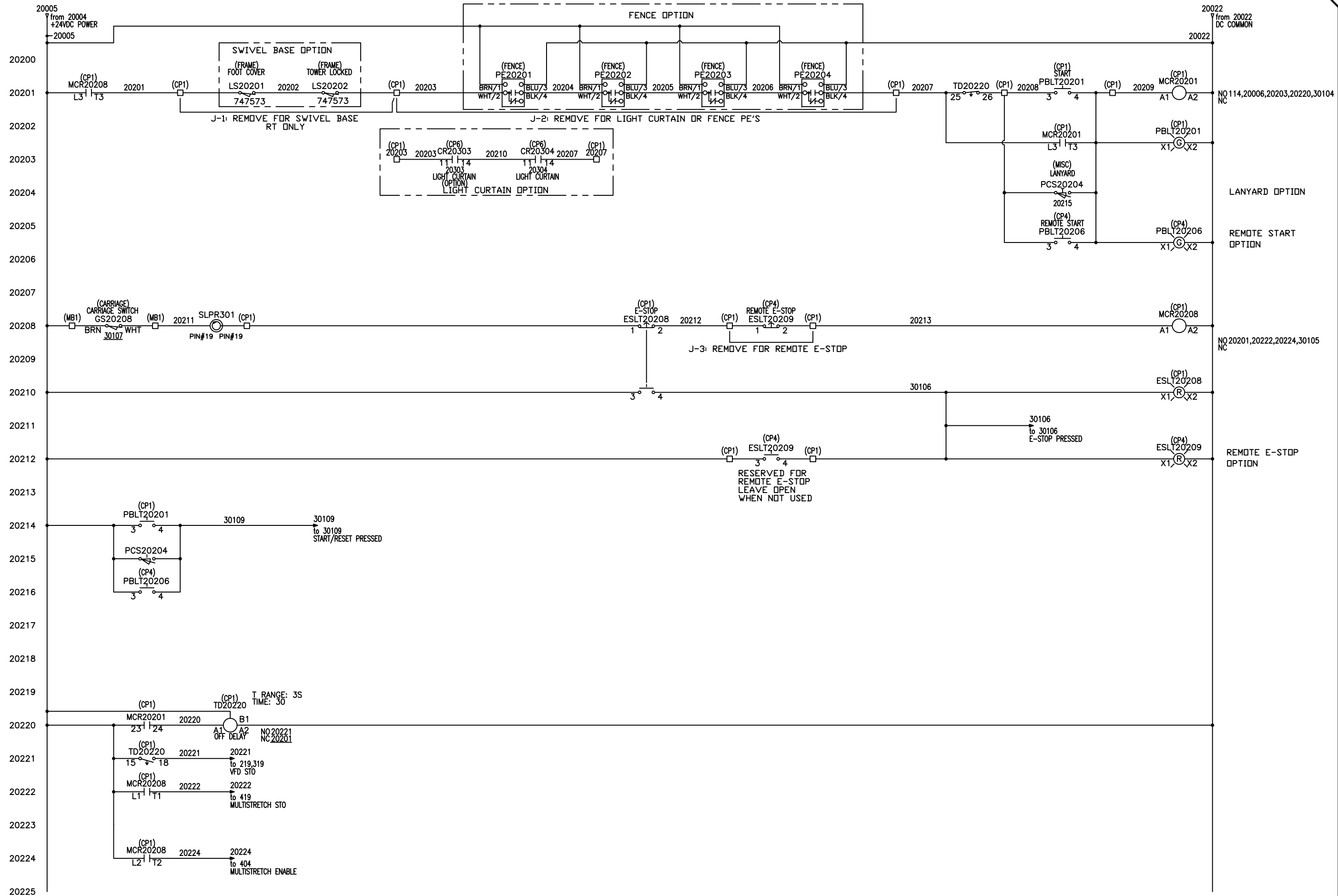


ORION, a ProMach product brand

4750 County Road 13 NE
Alexandria, MN 56308
PH 800-535-2730

DWG TITLE	
FLEX (STANDARD) RTA/RTD 24VDC SUPPLY AND DISTRIBUTION	
ENGINEER	CHECKED BY
JOB NO 758112	DRAWN BY DRV
SCALE NO SCALE	DATE 9/13/2022
DWG NO 758112-R	
SHEET NO 4 OF 19	

C:\Users\jvappi\Desktop\Elec_Design\Open Projects\Micro850 RTA\Prints\PC4.dwg



J-1 REMOVED FOR SWIVEL BASE OPTION, RT ONLY.
 J-2 REMOVED FOR FENCE PHOTODEYES OR LIGHT CURTAIN
 J-3 REMOVED FOR REMOTE EMERGENCY STOP PUSHBUTTON.

ORION, a ProMach product brand
 4750 County Road 13 NE
 Alexandria, MN 56308
 PH 800-535-2730

DWG TITLE
**FLEX (STANDARD)
 RTA/RTD
 START/STOP CIRCUIT**

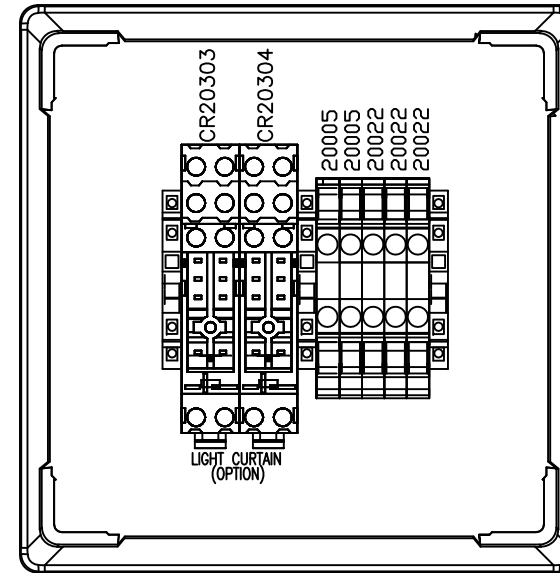
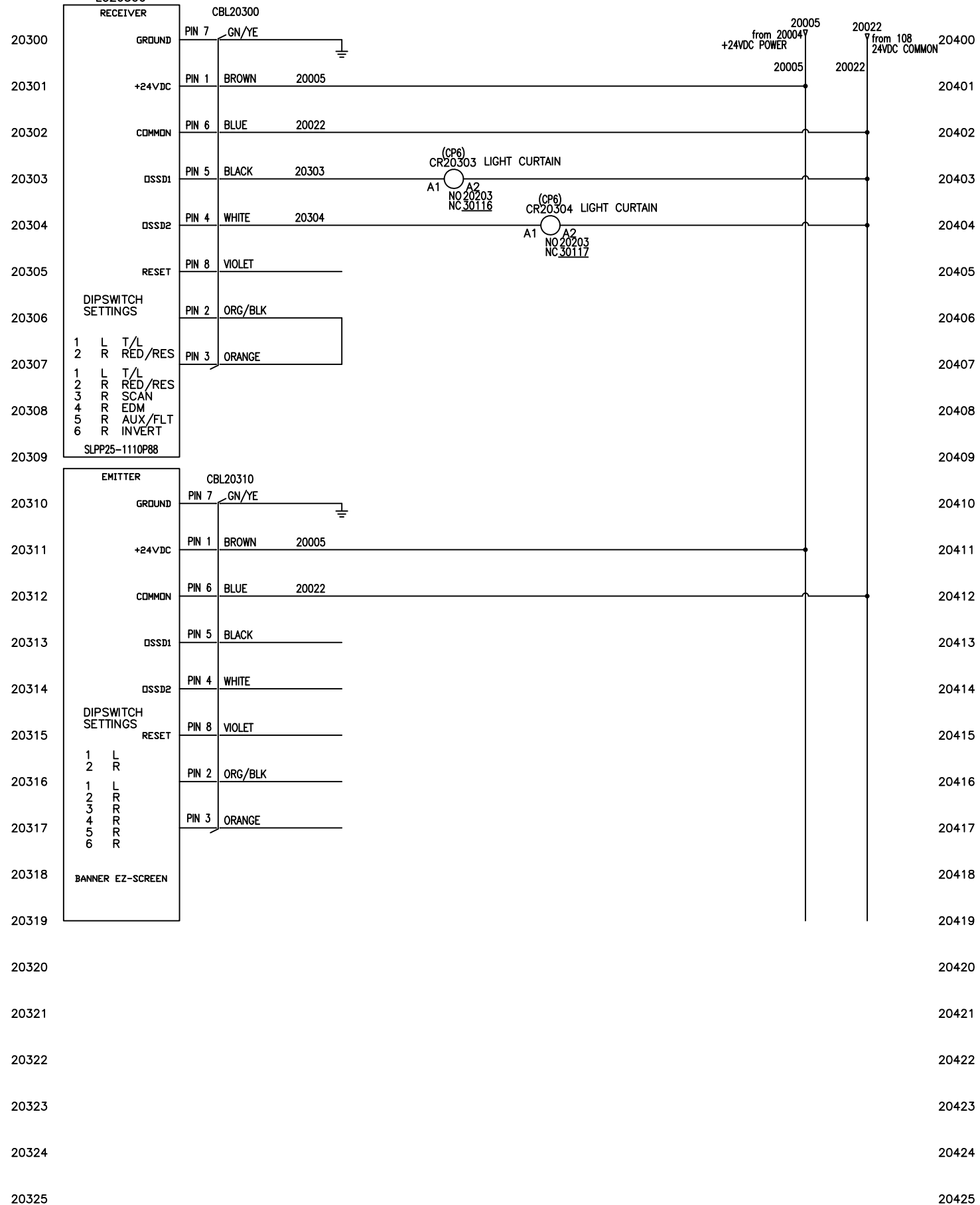
ENGINEER	CHECKED BY
JOB NO 758112	DRAWN BY DRV
SCALE NO SCALE	DATE 9/13/2022
DWG NO 758112-R	
SHEET NO 5 OF 19	

C:\Users\jgappi\Desktop\Elec_Design\Open Projects\Micro850 RTA\Prints\PCS.dwg

(FENCE)
LIGHT CURTAIN
LC20300

LIGHT CURTAIN OPTION

<CP6> LIGHT CURTAIN RELAY J-BOX. MOUNT ON FRAME.



Installation: PANEL		Location: <CP6>				
TAGS	QTY	SUB	ASSYCODE	MFG	CATALOG	DESCRIPTION
CP6	1		729265	CARLON	E987R	6x6x4 J-BOX
CR20303	2	*1	737215	AB	700-HPSXZ24	
CR20304		*1	737214	AB	700-HN123	SCREW TERMINAL MINIATURE SOCKET

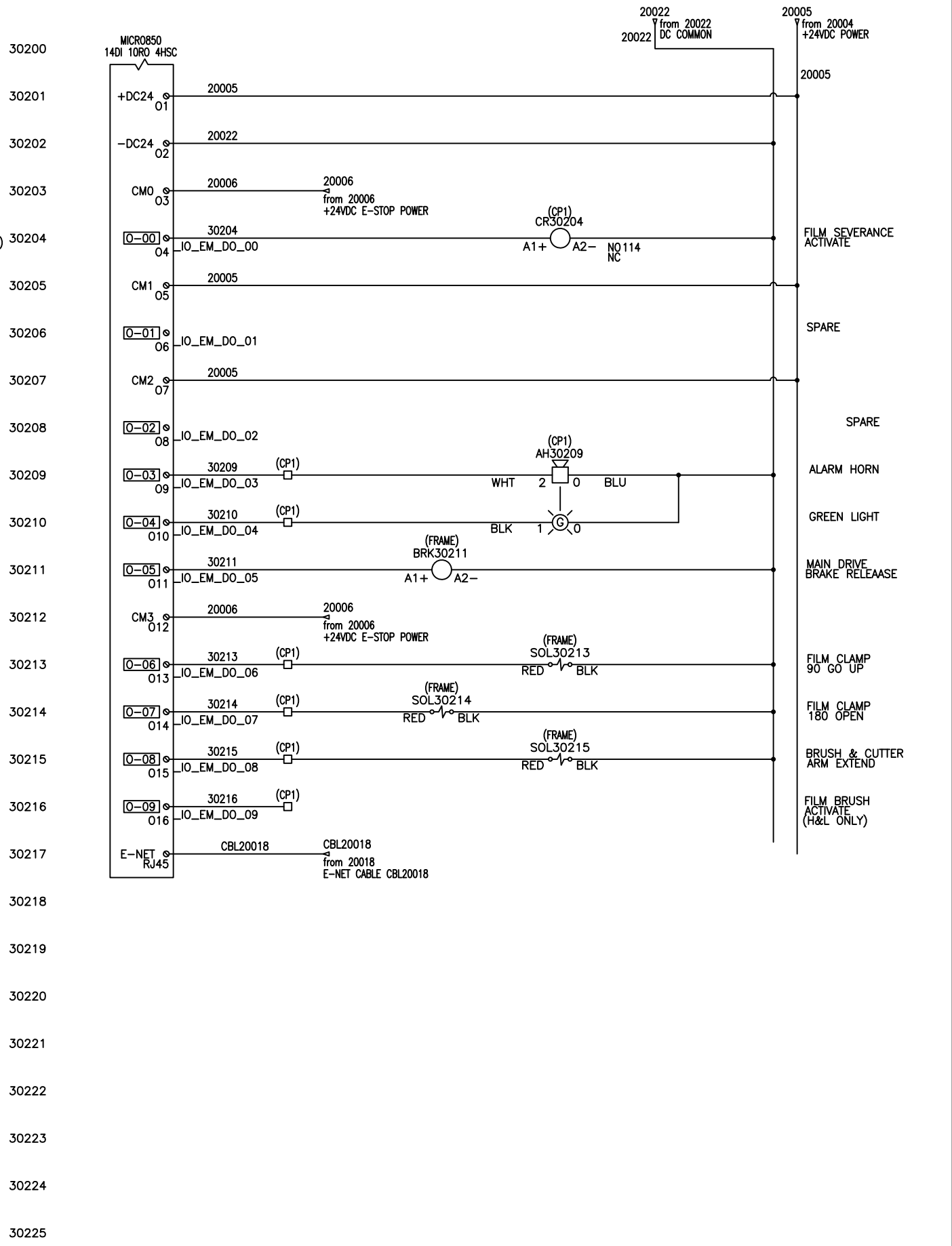
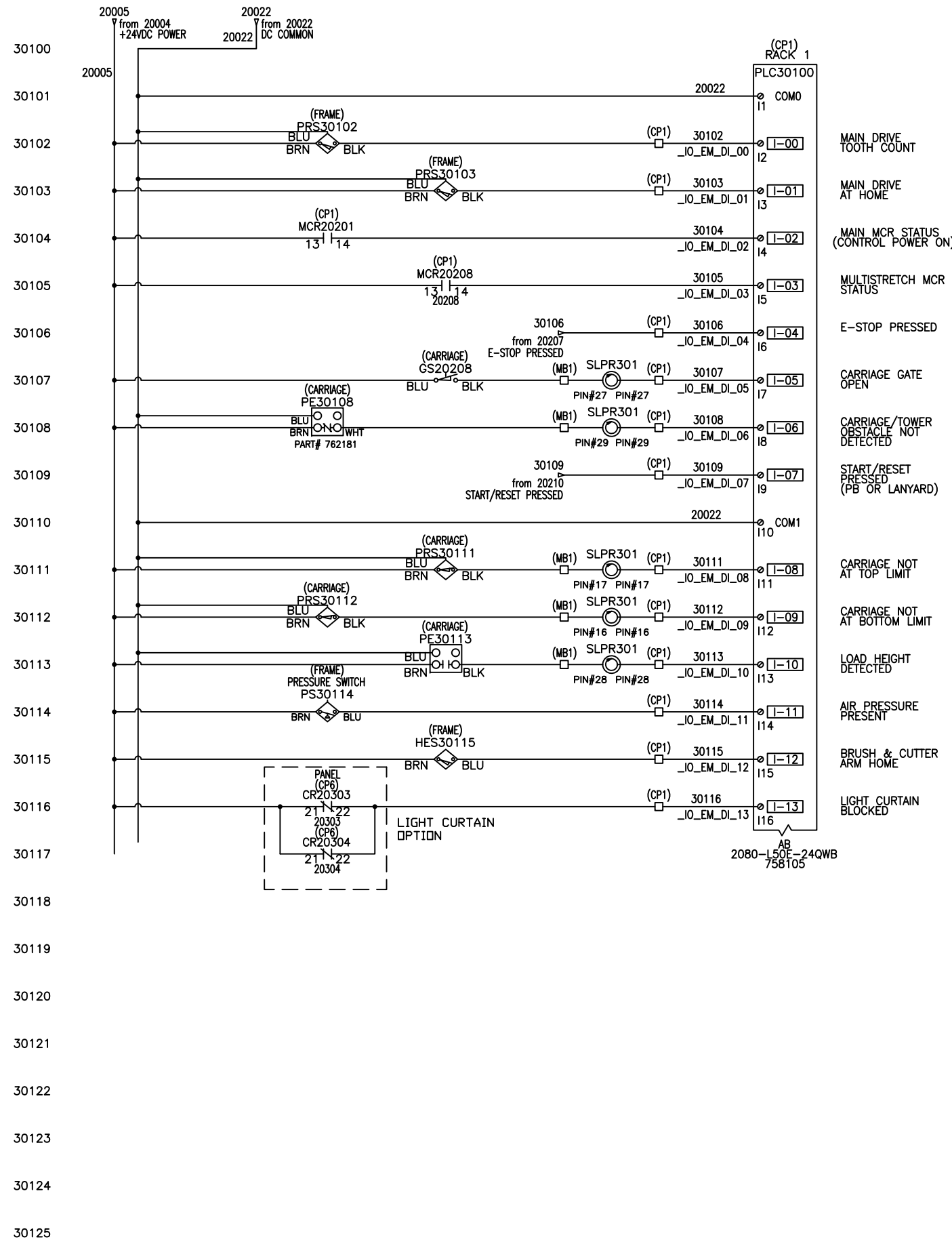
ORION, a ProMach product brand
4750 County Road 13 NE
Alexandria, MN 56308
PH 800-535-2730

DWG TITLE
**FLEX (STANDARD)
RTA/RTD
LIGHT CURTAINS**

ENGINEER	CHECKED BY
JOB NO 758112	DRAWN BY DRV
SCALE NO SCALE	DATE 9/13/2022

DWG NO
758112-R
SHEET NO
6 OF 19

C:\Users\jvappi\Desktop\Elec_Design\Open Projects\Micro850 Flex Prints\Micro850 RTA\Prints\PC6.dwg



ORION, a Promach product brand
 4750 County Road 13 NE
 Alexandria, MN 56308
 PH 800-535-2730

**FLEX (STANDARD)
 RTA/RTD
 2080-150E-24QWB
 INPUTS/OUTPUTS**

ENGINEER	CHECKED BY
JOB NO 758112	DRAWN BY DRV
SCALE NO SCALE	DATE 9/13/2022
DWG NO 758112-R	
SHEET NO 7 OF 19	

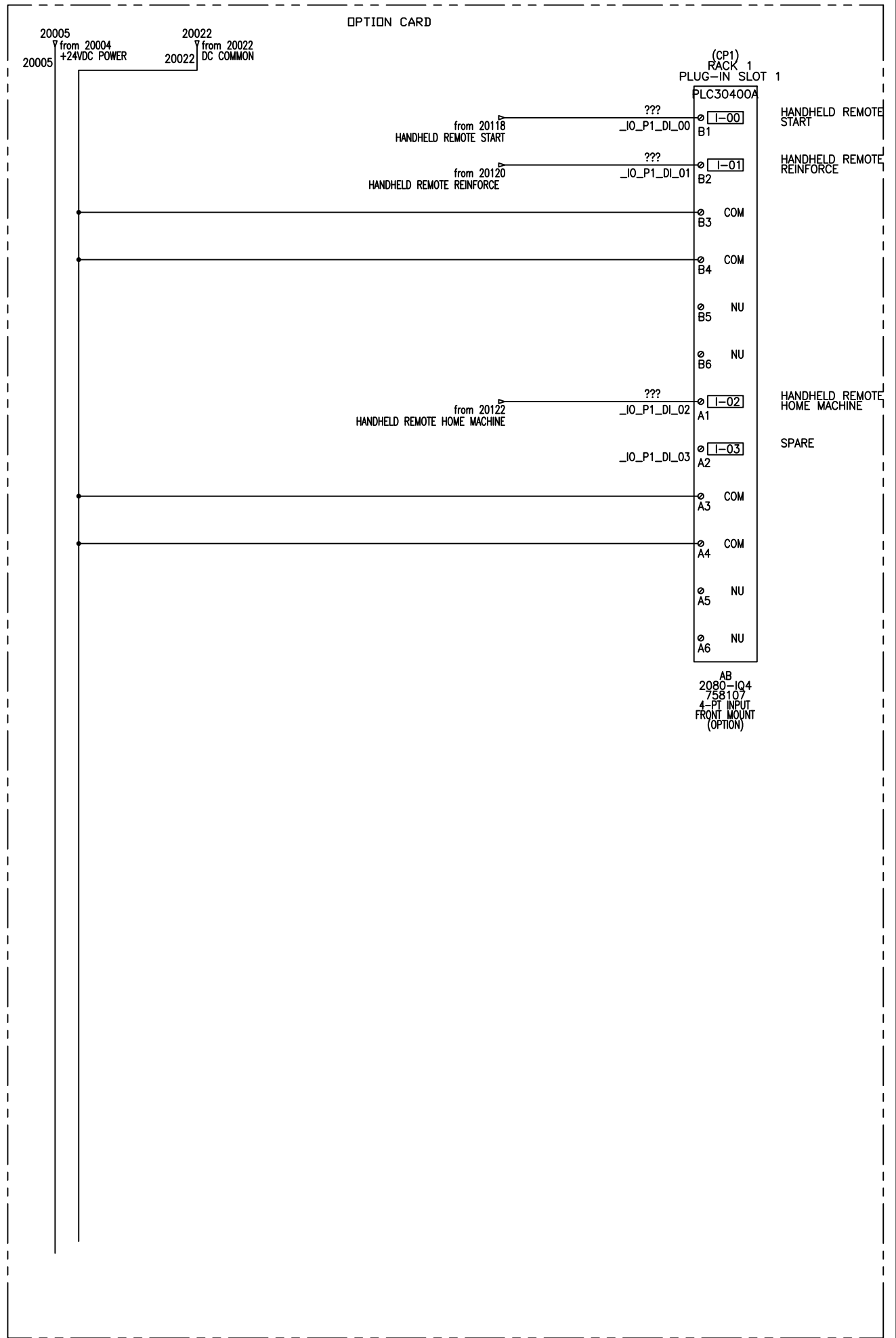
C:\Users\jvappi\Desktop\Elec_Design\Open Projects\Micro850 Flex Prints\Micro850 RTA\Prints\P07.dwg

30300
30301
30302
30303
30304
30305
30306
30307
30308
30309
30310
30311
30312
30313
30314
30315
30316
30317
30318
30319
30320
30321
30322
30323
30324
30325

(CP1)
RACK 1
PLUG-IN SLOT 2
PLC30400

AB
10000112527
BLANK PLATE
MICRO800 FRONT MOUNT

30400
30401
30402
30403
30404
30405
30406
30407
30408
30409
30410
30411
30412
30413
30414
30415
30416
30417
30418
30419
30420
30421
30422
30423
30424
30425

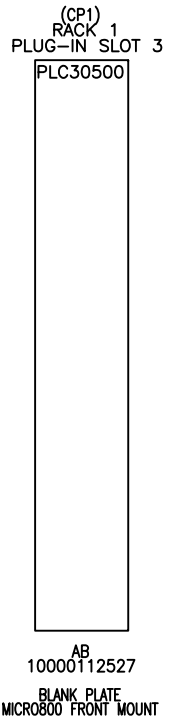


ORION, a ProMach product brand
4750 County Road 13 NE
Alexandria, MN 56308
PH 800-535-2730

DWG TITLE	
FLEX (STANDARD) RTA/RTD PLUG-IN SLOTS 1 & 2 2080-IQ4/BLANK	
ENGINEER	CHECKED BY
JOB NO 758112	DRAWN BY DRV
SCALE NO SCALE	DATE 9/13/2022
DWG NO 758112-R	
SHEET NO 8 OF 19	

C:\Users\jvappi\Desktop\Elec_Design\Open Projects\Micro850 Flex Prints\Micro850 RTA\Prints\PCB.dwg

30500
30501
30502
30503
30504
30505
30506
30507
30508
30509
30510
30511
30512
30513
30514
30515
30516
30517
30518
30519
30520
30521
30522
30523
30524
30525



30600
30601
30602
30603
30604
30605
30606
30607
30608
30609
30610
30611
30612
30613
30614
30615
30616
30617
30618
30619
30620
30621
30622
30623
30624
30625

ORION, a ProMach product brand

4750 County Road 13 NE
Alexandria, MN 56308
PH 800-535-2730

DWG TITLE

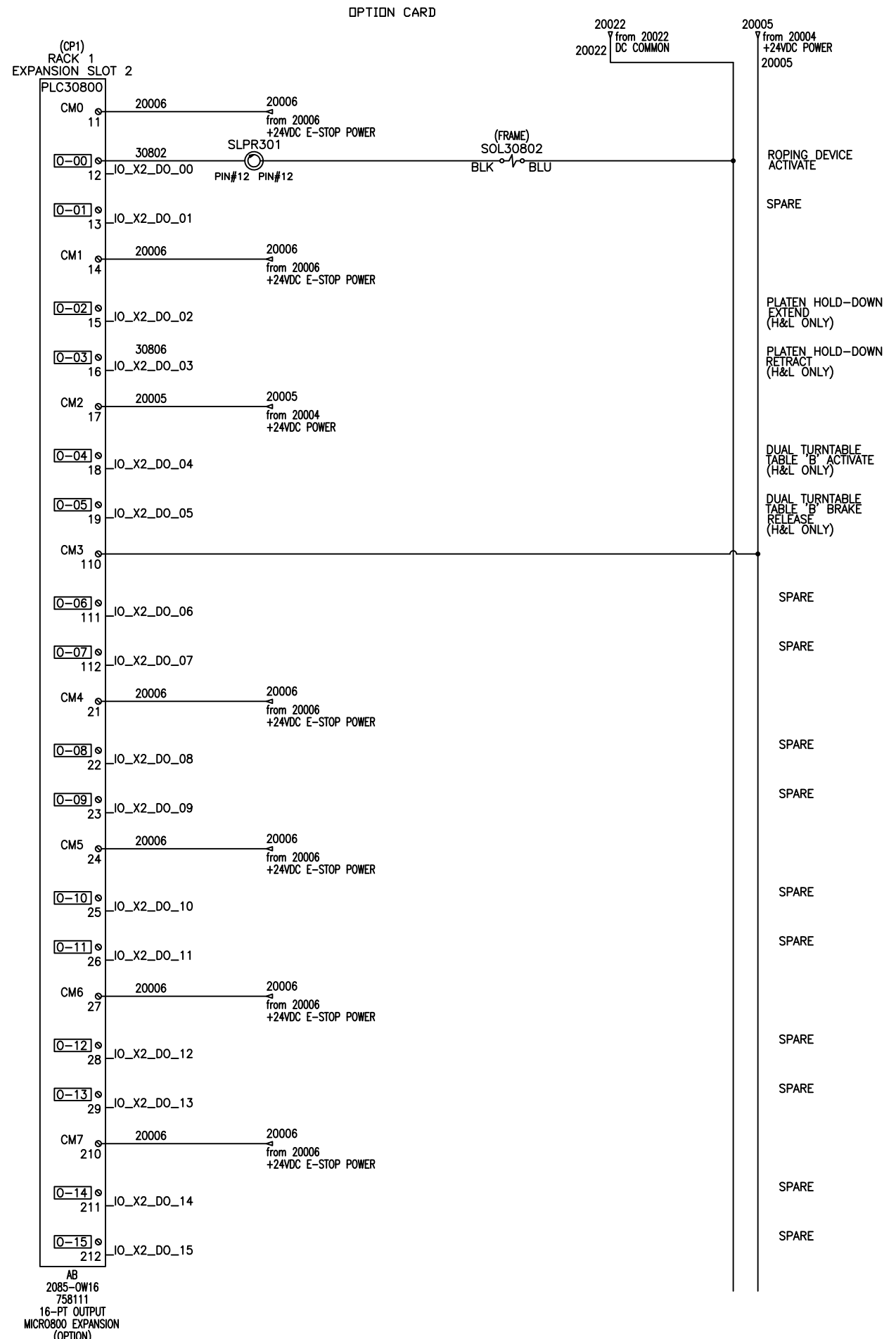
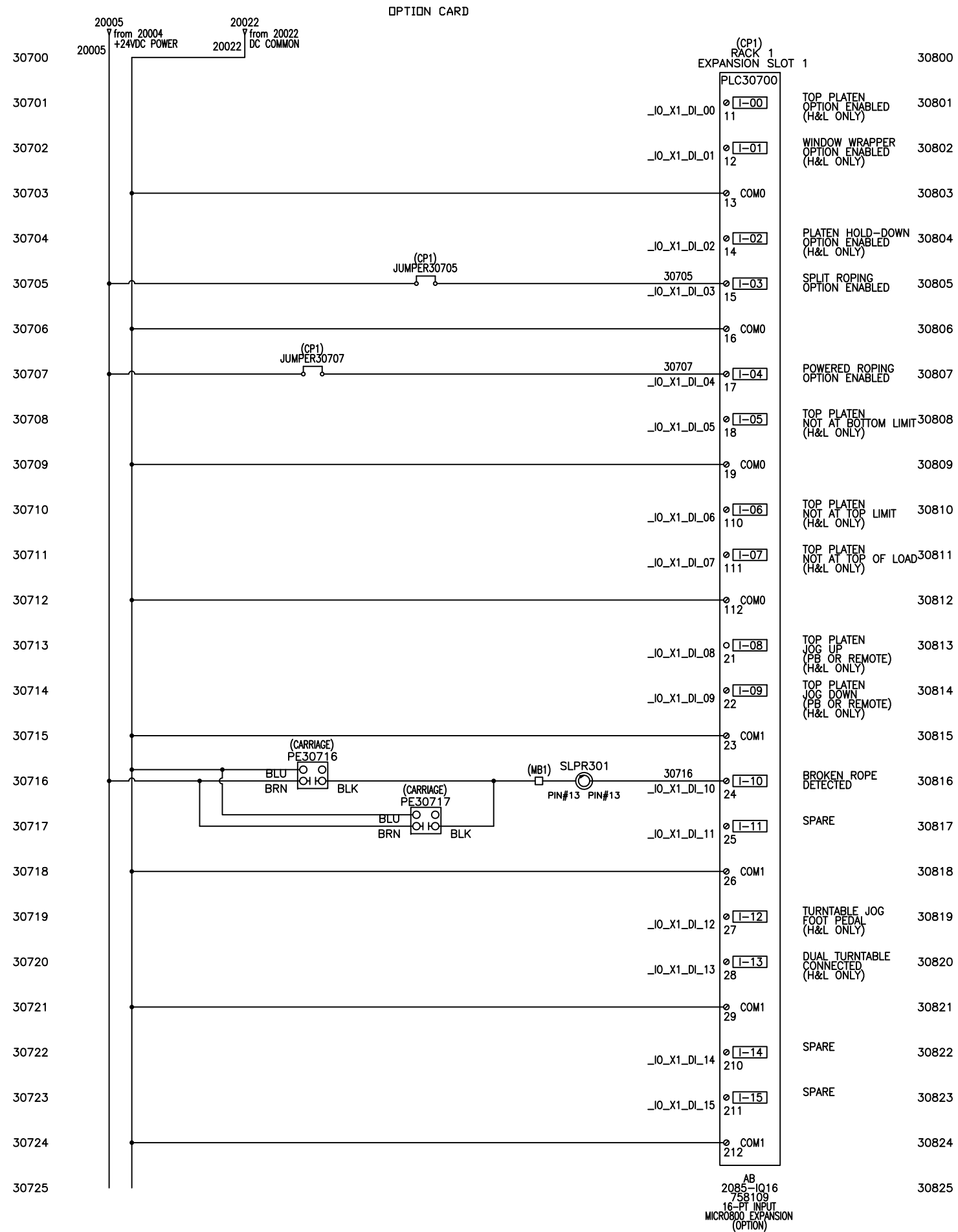
**FLEX (STANDARD)
RTA/RTD
PLUG-IN SLOT 3
BLANK**

ENGINEER	CHECKED BY
JOB NO 758112	DRAWN BY DRV
SCALE NO SCALE	DATE 9/13/2022

DWG NO
758112-R

SHEET NO
9 OF 19

C:\Users\dwappi\Desktop\Elec_Design\Open Projects\Micro850 RTA\Prints\Micro850 RTA\Prints\PC99.dwg



ORION, a ProMach product brand
4750 County Road 13 NE
Alexandria, MN 56308
PH 800-535-2730

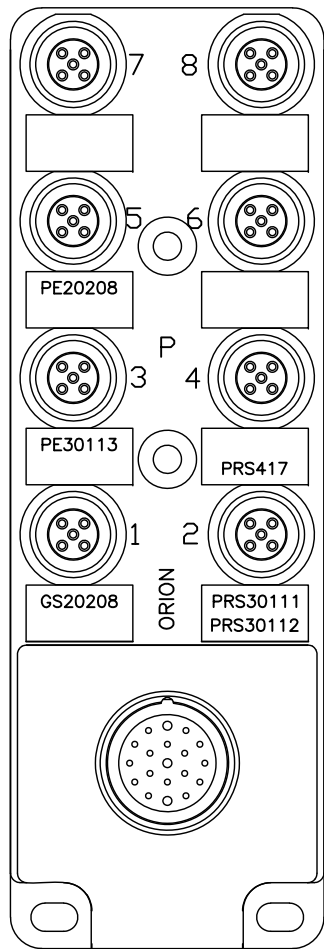
FLEX (STANDARD)
RTA/RTD
EXPANSION SLOTS
2085-IQ16/2085-0W16

ENGINEER	CHECKED BY
JOB NO 758112	DRAWN BY DRV
SCALE NO SCALE	DATE 9/13/2022
DWG NO 758112-R	
SHEET NO 10 OF 19	

C:\Users\dappp\OneDrive\Desktop\Elec_Design\Open Projects\Micro850 RTA\Prints\PG10.dwg

8 PORT DISTRIBUTION BLOCK

(CARRIAGE)
MB1

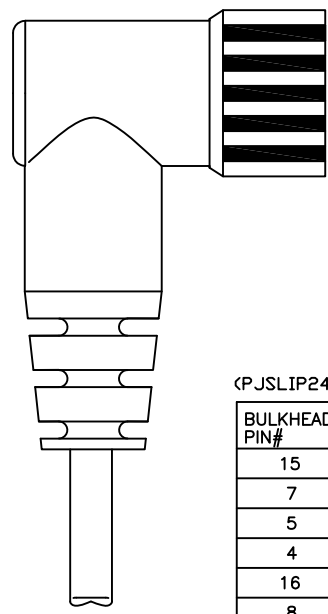
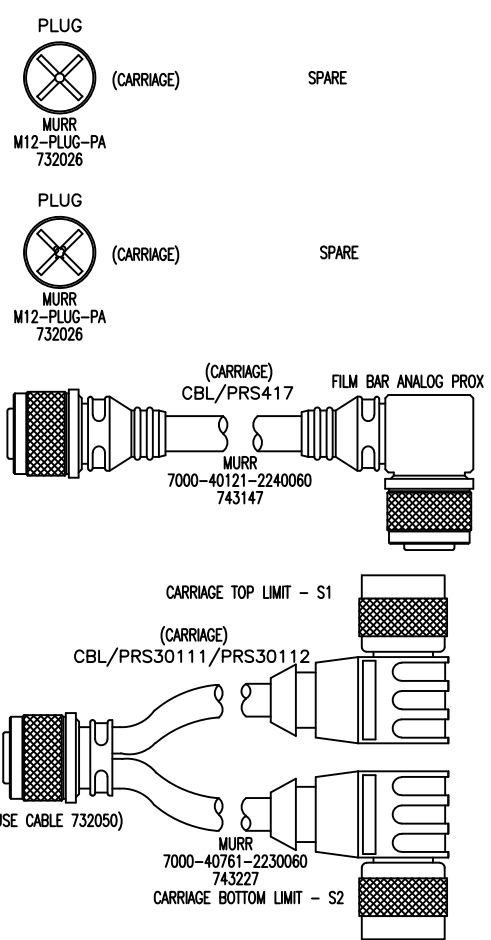
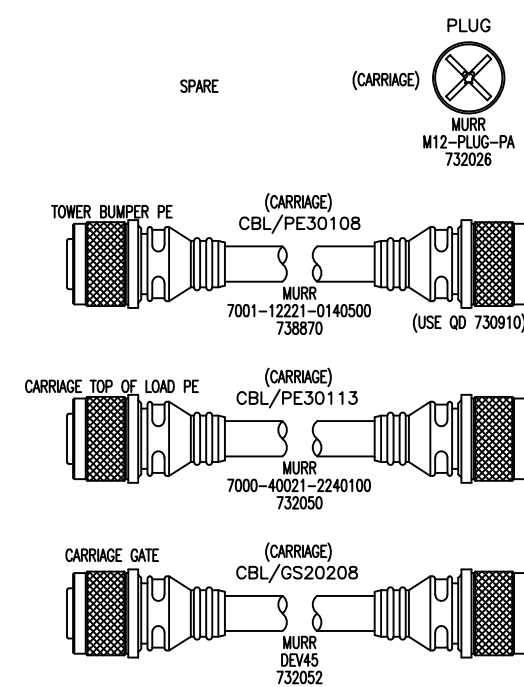


8000-88520-000000
755804

(756748) 6M PATCH CABLE W/ 90 DEG. FEMALE

(PJSLIP24VDC)

BULKHEAD PIN#	WIRE COLOR	PORT#	PIN#	DEVICE TAG	WIRE#	DESCRIPTION	I/O ADDRESS
15	WHITE	1	4	GS20208	30107	CARRIAGE GATE OPEN	
7	GRY/PNK	1	2	GS20208	20210	CARRIAGE GATE CLOSED	
5	GREEN	2	4	PRS30111	30111	CARRIAGE NOT AT TOP	
4	RED/BLU	2	2	PRS30112	30112	CARRIAGE NOT AT BOTTOM	
16	YELLOW	3	4	PE30113	30113	CARRIAGE AUTO HEIGHT	
8	WHT/GRN	3	2				
3	GRAY	4	4				
14	BRN/GRN	4	2	PRS417	417	ANALOG PROX	
17	PINK	5	4				
9	WHT/YEL	5	2	PE30108	30108	TOWER BUMPER PE INPUT	
2	RED	6	4				
13	YEL/BRN	6	2				
11	BLACK	7	4				
10	WHT/GRY	7	2				
1	VIOLET	8	4				
18	GRY/BRN	8	2				
19	BROWN	1 - 8	1		20005	24VDC +	
6	BLUE	1 - 8	3		20022	OVDC -	
12	GRN/YEL	1 - 8	5			GROUND	



RT SLIP RING

PORT	WIRE #	FIXED SIDE	WIRE COLOR	ROTARY SIDE	WIRE #	DEVICE TAG	DEVICE NAME
1	301	S1	BLACK	R1	301	MTR302	CARRIAGE UP/DOWN
1	302	S2	YELLOW	R2	302	MTR302	CARRIAGE UP/DOWN
1	303	S3	RED	R3	303	MTR302	CARRIAGE UP/DOWN
1	GND	S4	GREEN	R4	GND	MTR302	CARRIAGE UP/DOWN GND
2	401	S5	BLACK	R5	401	MTR402	MULTISTRETCH
2	402	S6	YELLOW	R6	402	MTR402	MULTISTRETCH
2	403	S7	RED	R7	403	MTR402	MULTISTRETCH
2	GND	S8	GREEN	R8	GND	MTR402	MULTISTRETCH GND
3	AUX1	S9	RED	R9	AUX1	SEE NEXT PG	SEE OPTIONS NEXT PAGE
3	AUX2	S10	BLACK	R10	AUX2	SEE NEXT PG	SEE OPTIONS NEXT PAGE
3	AUX3	S11	YELLOW	R11	AUX3	SEE NEXT PG	SEE OPTIONS NEXT PAGE
3	AUX4	S12	GREEN	R12	AUX4	SEE NEXT PG	SEE OPTIONS NEXT PAGE
4		S13	19 PIN	R13			
4		S14	19 PIN	R14			
4		S15	19 PIN	R15			
4	30112	S16	19 PIN	R16	30112	PRS30112	CARRIAGE NOT AT BOTTOM
4	30111	S17	19 PIN	R17	30111	PRS30111	CARRIAGE NOT AT TOP
4	20022	S18	19 PIN	R18	20022		DC COMMON
4	20211	S19	19 PIN	R19	20211	GS20208	CARRIAGE GATE CLOSED
4		S20	19 PIN	R20			
4		S21	19 PIN	R21			
4		S22	19 PIN	R22			
4		S23	19 PIN	R23			
4	GND	S24	19 PIN	R24	GND		M23 GROUND
4		S25	19 PIN	R25			
4	417	S26	19 PIN	R26	417	PRS417	FILM BAR ANALOG PROX
4	30107	S27	19 PIN	R27	30107	GS20208	CARRIAGE GATE OPEN
4	30113	S28	19 PIN	R28	30113	PE30113	CARRIAGE LOAD HEIGHT
4	30108	S29	19 PIN	R29	30108	PE30108	TOWER BUMPER PE OUTPUT
4		S30	19 PIN	R30			
4	20005	S31	19 PIN	R31	20005		+24 VDC

PJ301 AND PJ401

PIN	WIRE COLOR	QD SIDE PIN
1	BLACK	1
2	YELLOW	2
3	RED	3
4	GREEN	4

REVISION TABLE			
NO.	DATE	DESCRIPTION	BY:

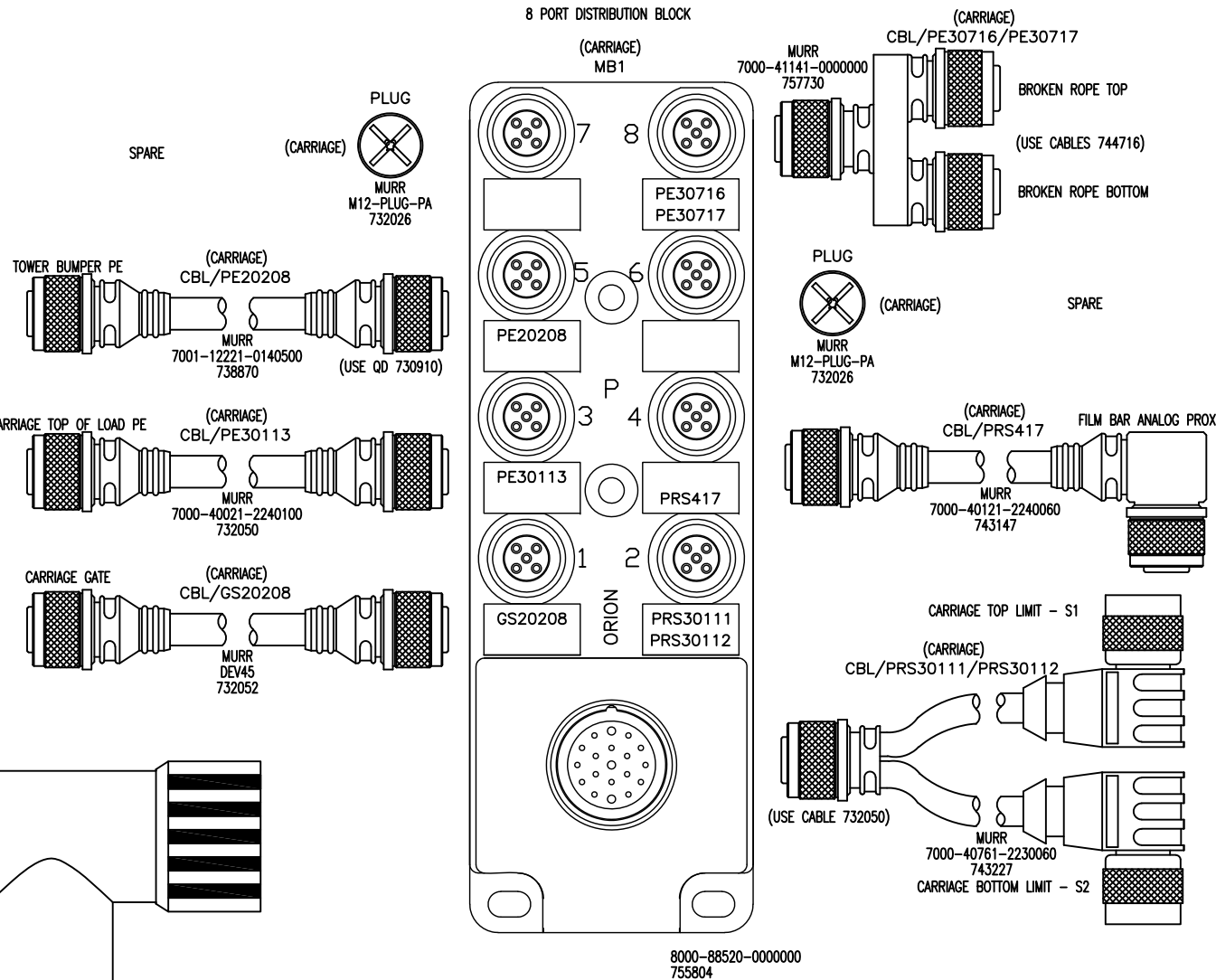
ORION, a ProMach product brand
4750 County Road 13 NE
Alexandria, MN 56308
PH 800-535-2730

DWG TITLE
**FLEX (STANDARD)
RTA/RTD
CARRIAGE I/O BLOCK
STANDARD LAYOUT**

ENGINEER: _____ CHECKED BY: _____
JOB NO: 758112 DRAWN BY: DRV
SCALE: NO SCALE DATE: 9/13/2022
DWG NO: 758112-R
SHEET NO: 11 OF 19

C:\Users\dwapp\desktop\Elec_Design\Open Projects\Micro850 RTA\Prints\PG11.dwg

8 PORT DISTRIBUTION BLOCK



(756748) 6M PATCH CABLE W/ 90 DEG. FEMALE

(PJSJLIP24VDC)

BULKHEAD PIN#	WIRE COLOR	PORT#	PIN#	DEVICE TAG	WIRE#	DESCRIPTION	I/O ADDRESS
15	WHITE	1	4	GS20208	30107	CARRIAGE GATE OPEN	
7	GRY/PNK	1	2	GS20208	20210	CARRIAGE GATE CLOSED	
5	GREEN	2	4	PRS30111	30111	CARRIAGE NOT AT TOP	
4	RED/BLU	2	2	PRS30112	30112	CARRIAGE NOT AT BOTTOM	
16	YELLOW	3	4	PE30113	30113	CARRIAGE AUTO HEIGHT	
8	WHT/GRN	3	2				
3	GRAY	4	4				
14	BRN/GRN	4	2	PRS417	417	ANALOG PROX	
17	PINK	5	4	PE20208	20210	TOWER BUMPER PE OUTPUT	
9	WHT/YEL	5	2	PE20208	30108	TOWER BUMPER PE INPUT	
2	RED	6	4				
13	YEL/BRN	6	2				
11	BLACK	7	4				
10	WHT/GRY	7	2				
1	VIOLET	8	4	PE30716	30716	BROKEN ROPE DETECTED	
18	GRY/BRN	8	2				
19	BROWN	1 - 8	1		20005	24VDC +	
6	BLUE	1 - 8	3		20022	OVDC -	
12	GRN/YEL	1 - 8	5			GROUND	

RT SLIP RING

PORT	WIRE #	FIXED SIDE	WIRE COLOR	ROTARY SIDE	WIRE #	DEVICE TAG	DEVICE NAME
1	301	S1	BLACK	R1	301	MTR302	CARRIAGE UP/DOWN
1	302	S2	YELLOW	R2	302	MTR302	CARRIAGE UP/DOWN
1	303	S3	RED	R3	303	MTR302	CARRIAGE UP/DOWN
1	GND	S4	GREEN	R4	GND	MTR302	CARRIAGE UP/DOWN GND
2	401	S5	BLACK	R5	401	MTR402	MULTISTRETCH
2	402	S6	YELLOW	R6	402	MTR402	MULTISTRETCH
2	403	S7	RED	R7	403	MTR402	MULTISTRETCH
2	GND	S8	GREEN	R8	GND	MTR402	MULTISTRETCH GND
3	AUX1	S9	RED	R9	AUX1	SEE BELOW	SEE OPTIONS BELOW
3	AUX2	S10	BLACK	R10	AUX2	SEE BELOW	SEE OPTIONS BELOW
3	AUX3	S11	YELLOW	R11	AUX3	SEE BELOW	SEE OPTIONS BELOW
3	AUX4	S12	GREEN	R12	AUX4	SEE BELOW	SEE OPTIONS BELOW
4	30716	S13	19 PIN	R13	30716	PE30716	BROKEN ROPE DETECTED
4		S14	19 PIN	R14			
4		S15	19 PIN	R15			
4	30112	S16	19 PIN	R16	30112	PRS30112	CARRIAGE NOT AT BOTTOM
4	30111	S17	19 PIN	R17	30111	PRS30111	CARRIAGE NOT AT TOP
4	20022	S18	19 PIN	R18	20022		DC COMMON
4	20210	S19	19 PIN	R19	20210	GS20208	CARRIAGE GATE CLOSED
4		S20	19 PIN	R20			
4	20210	S21	19 PIN	R21	20210	PE20208	TOWER BUMPER PE INPUT
4		S22	19 PIN	R22			
4		S23	19 PIN	R23			
4	GND	S24	19 PIN	R24	GND		M23 GROUND
4		S25	19 PIN	R25			
4	417	S26	19 PIN	R26	417	PRS417	FILM BAR ANALOG PROX
4	30107	S27	19 PIN	R27	30107	GS20208	CARRIAGE GATE OPEN
4	30113	S28	19 PIN	R28	30113	PE30113	CARRIAGE LOAD HEIGHT
4	30108	S29	19 PIN	R29	30108	PE20208	TOWER BUMPER PE OUTPUT
4		S30	19 PIN	R30			
4	20005	S31	19 PIN	R31	20005		+24 VDC

PJ301 AND PJ401

PIN	WIRE COLOR	QD SIDE PIN
1	BLACK	1
2	YELLOW	2
3	RED	3
4	GREEN	4

AUXILIARY PORT CONNECTION OPTIONS
ONLY ONE OPTION CAN BE USED

PIN	WIRE COLOR	QD SIDE PIN	INSTA-CUT (SOL117)	POWERED ROPING (SOL30802)
AUX1	RED	1	116	
AUX2	BLACK	2	N	
AUX3	YELLOW	3		20022
AUX4	GREEN	4	GND	30802

REVISION TABLE

NO.	DATE	DESCRIPTION	BY:

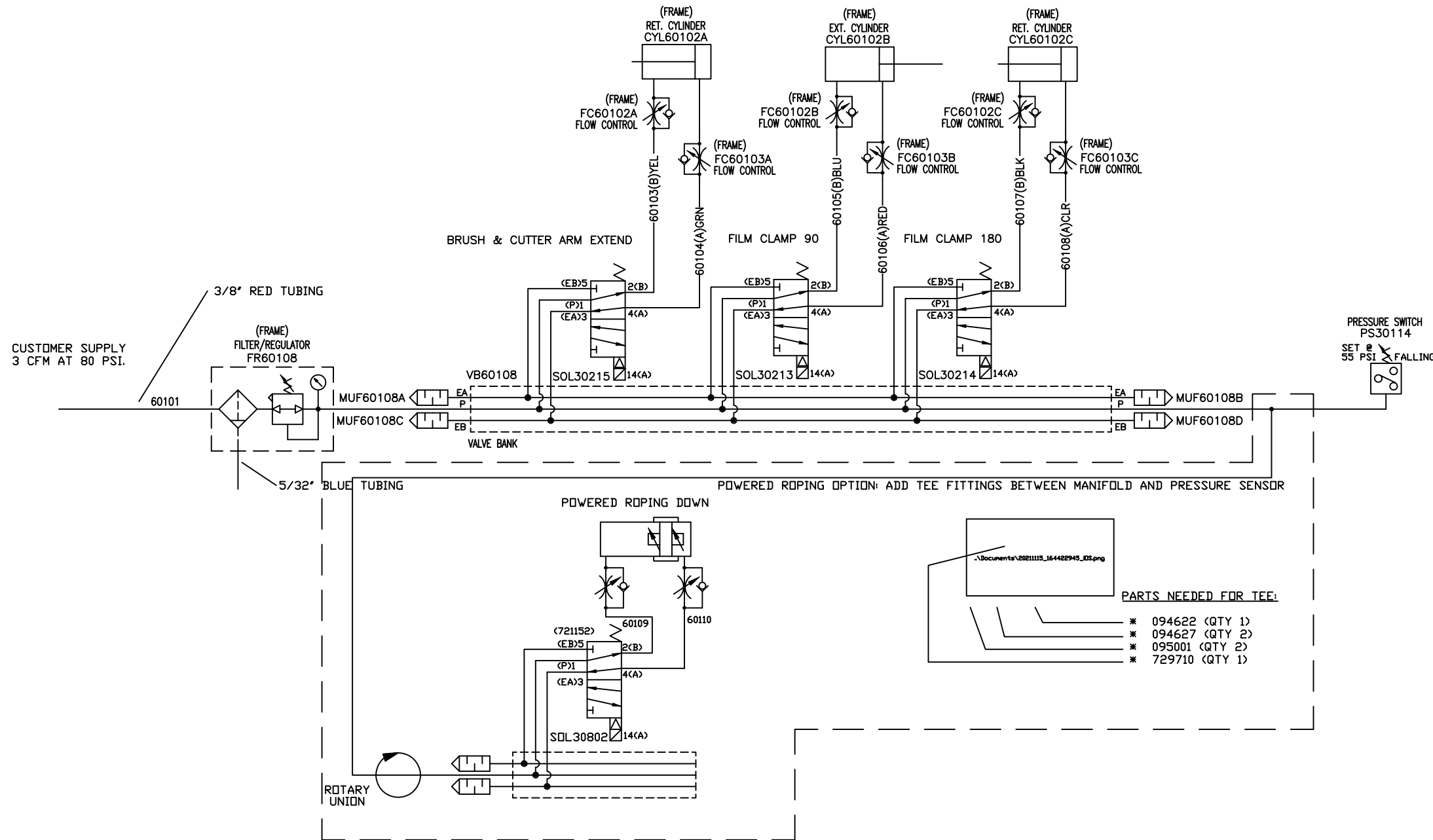
C:\Users\drvpp\OneDrive\Desktop\Elec_Design\Open Projects\Micro850 RTA\Prints\PG12.dwg

ORION, a ProMach product brand
4750 County Road 13 NE
Alexandria, MN 56308
PH 800-535-2730

FLEX (STANDARD) RTA/RTD CARRIAGE I/O BLOCK WITH OPTIONS

ENGINEER: [] CHECKED BY: []
JOB NO: 758112 DRAWN BY: DRV
SCALE: NO SCALE DATE: 9/13/2022
DWG NO: 758112-R
SHEET NO: 12 OF 19

60100
60101
60102
60103
60104
60105
60106
60107
60108
60109
60110
60111
60112
60113
60114
60115
60116
60117
60118
60119
60120
60121
60122
60123
60124
60125



NOTE:
ALL TUBING FROM VALVES TO CYLINDERS 1/4" OD.
TUBE NUMBER 60101 IS 3/8" OD.
WHITE FITTING CAPS USE CLEAR TUBING TO CYLINDERS.
FITTINGS TO MOUNT PRESSURE SWITCH. 3/8" NPT TO 1/4" REDUCING BUSHING AND 1/4" NPT STREET ELBOW.
FITTING FROM FILTER REGULATOR UNIT TO MANIFOLD 3/8" NIPPLE.

ORION, a ProMach product brand
4750 County Road 13 NE
Alexandria, MN 56308
PH 800-535-2730

**FLEX (STANDARD)
RTA/RTD
PNEUMATIC
SCHEMATIC**

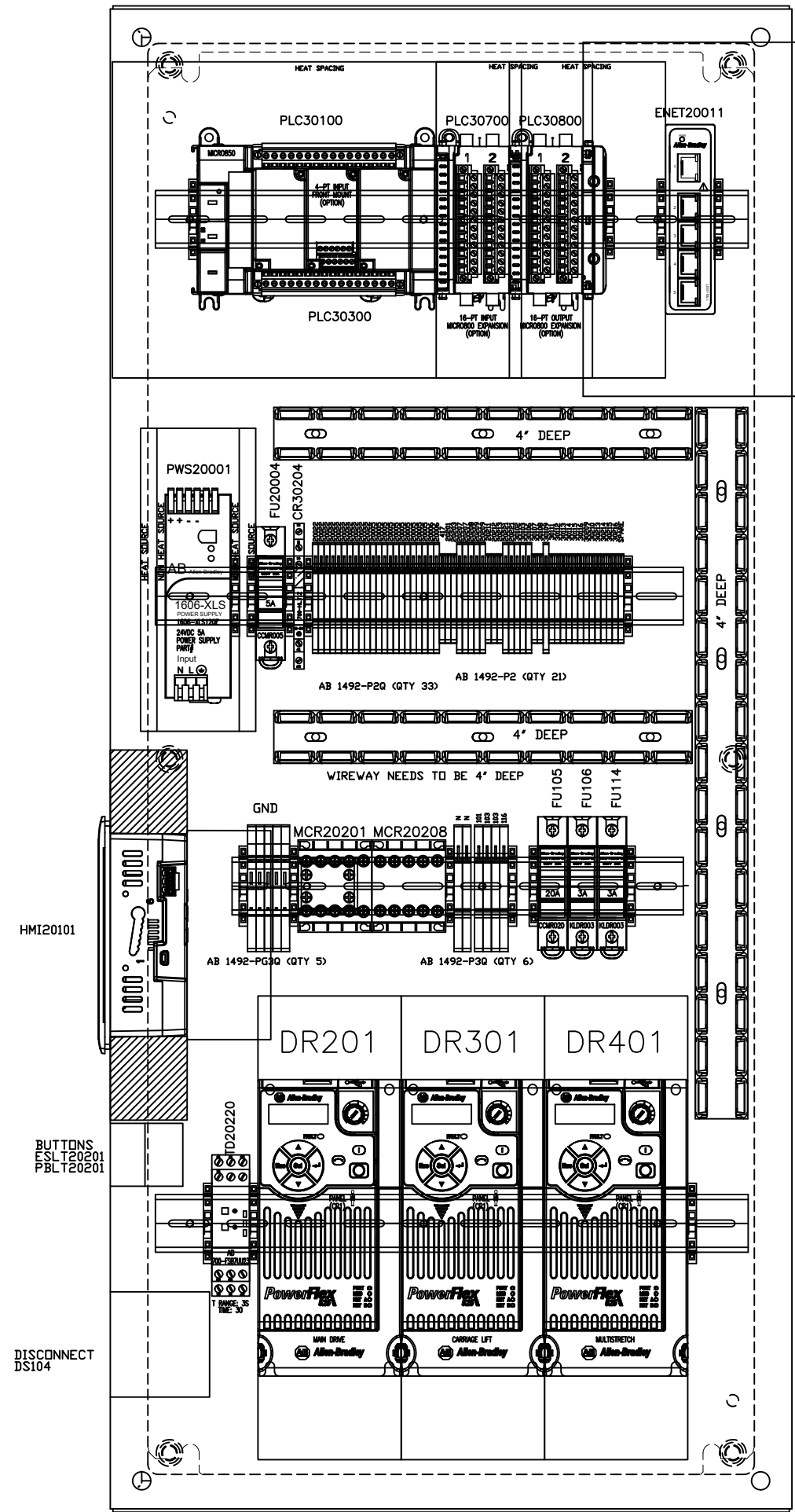
ENGINEER	CHECKED BY
JOB NO 758112	DRAWN BY DRV
SCALE NO SCALE	DATE 9/13/2022

DWG NO 758112-R

SHEET NO 13 OF 19

C:\Users\jvappi\Desktop\Elec_Design\Open Projects\Micro850 Flex Prints\Micro850 RTA\Prints\PG13.dwg

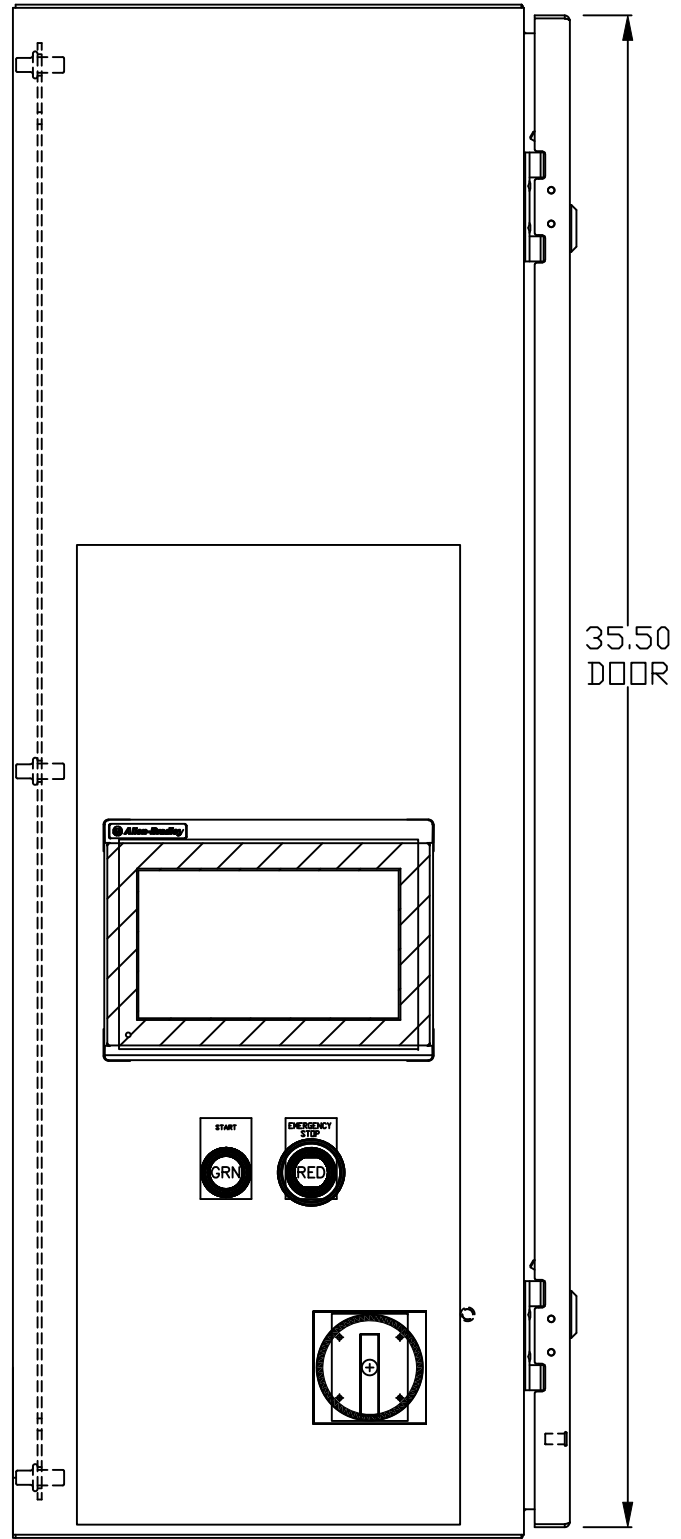
Installation: PANEL		Location: (CP1)				
TAGS	QTY	SUB	ASSYCODE	MFG	CATALOG	DESCRIPTION
AH30209	1		729175	AB	855EC-B24D3P1	
CR30204	1		715634	AB	700-HLT1Z24	HL TYPE TERMINAL BLOCK RELAY
DR201 DR301 DR401	3	*1	741206	AB	25B-V4P8N104	
		*1	740607	AB	1585J-M4HBJM-1M5	
DS104	1		759590	AB	194E-E25-1753-6N	
HMI20101	1	*1	758103	AB	2711R-T7T	
		*1	740608	AB	1585J-M4HBJM-2	
ENET20011	1		742270	AB	1783-US5T	
FU105	1	*1	759592	AB	1492-FB1C30	1 POLE FUSE BLOCK - CLASS CC
		*1	731006	LITTELFUSE	CCMR020	
FU106 FU114	2	*1	759592	AB	1492-FB1C30	1 POLE FUSE BLOCK - CLASS CC
		*1	731039	LITTELFUSE	KLDR003	
FU20004	1	*1	759591	AB	1492-FB1M30	1 POLE FUSE BLOCK - MIDGET FUSE
		*1	730999	LITTELFUSE	CCMR005	
CBL101	1		759593	CORD-SETS	VAN12385-20P	INSTALLED BY DRION, SUPPLIED BY VAN METER.
HTR115	1		732018	OMEGA	CSF06006011000	
MCR20201	1	*1	759587	AB	100-K09ZJ10	100-K MCS MINI CONTACTOR, SCREW TYPE TERMINALS, 9A, SYSTEM CONTROL VOLTAGE: 24 (17...30)V DC, 3 NO MAIN CONTACTS, 1 NO AUX CONTACT
		*1	759588	AB	100-KFC40	
MCR20208	1		759587	AB	100-K09ZJ10	100-K MCS MINI CONTACTOR, SCREW TYPE TERMINALS, 9A, SYSTEM CONTROL VOLTAGE: 24 (17...30)V DC, 3 NO MAIN CONTACTS, 1 NO AUX CONTACT
ESLT20208	1	*1	724097	AB	800FP-LMP44	
		*1	724516	AB	800F-PN3R	
		*1	724103	AB	800F-X01	800F CONTACT BLOCK
		*1	724104	AB	800F-X10	800F CONTACT BLOCK
PBLT20201	1	*1	724117	AB	800FP-LF3	
		*1	724770	AB	800F-PN3G	
		*2	724104	AB	800F-X10	800F CONTACT BLOCK
PLC30400 PLC30500	2		7xxxxx	AB	10000112527	
PLC30800	1		758111	AB	2085-DW16	
PLC30700	1		758109	AB	2085-IQ16	
PLC30900	1		760540	AB	2085-ECR	
PLC30100	1	*1	758105	AB	2080-L50E-24QWB	
		*1	741033	AB	1585J-M4HBJM-1	
PLC30300	1		758107	AB	2080-IQ4	
PWS20001	1		740709	AB	1606-XLS120E	SWITCHED MODE PDWER SUPPLY, 1606 SERIES
SUI18	1		745572	RK ELECTRONICS	RCS1A-6	
Installation: PANEL			735569	ORION	700-FSB7UU23	
TAGS	QTY	SUB	ASSYCODE	MFG	CATALOG	DESCRIPTION
PBLT30713	1	*1	724122	AB	800FP-F2	
		*1	724102	AB	800F-ALP	800F MOUNTING LATCH
		*1	724104	AB	800F-X10	800F CONTACT BLOCK
		*1	707220	HOFFMAN	E2PBGXM	
PBLT30714	1	*1	724122	AB	800FP-F2	
		*1	724102	AB	800F-ALP	800F MOUNTING LATCH
		*1	724104	AB	800F-X10	800F CONTACT BLOCK



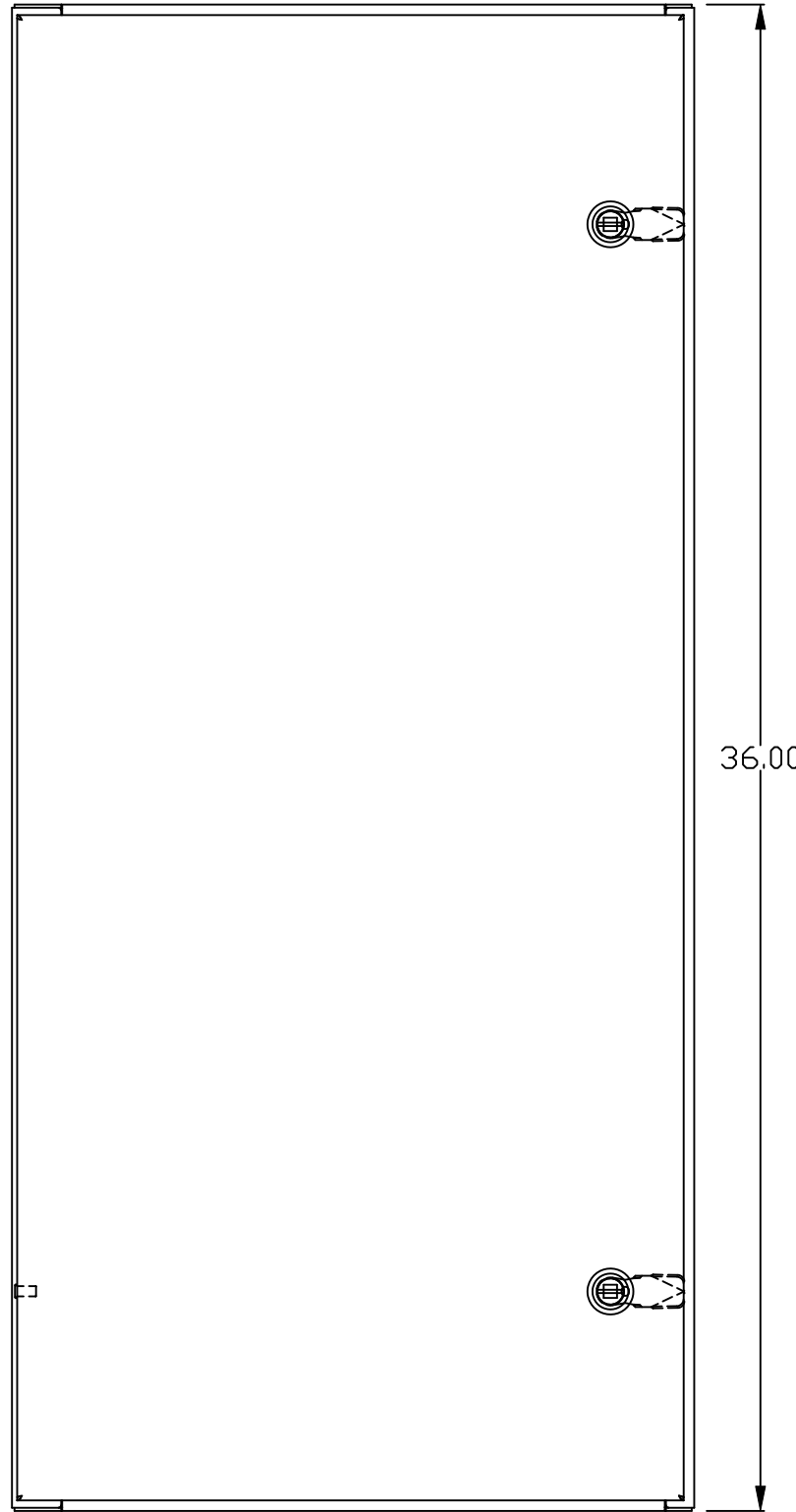
ORION, a ProMach product brand
 4750 County Road 13 NE
 Alexandria, MN 56308
 PH 800-535-2730

DWG TITLE	
FLEX (STANDARD) RTA/RTD (CP1) BACKPANEL AND PANEL BOM	
ENGINEER	CHECKED BY
JOB NO 758112	DRAWN BY DRV
SCALE NO SCALE	DATE 9/13/2022
DWG NO 758112-R	
SHEET NO 14 OF 19	

C:\Users\dwappi\Desktop\Elec_Design\Open Projects\Micro850 Flex Prints\Micro850 RTA\Prints\PG14.dwg

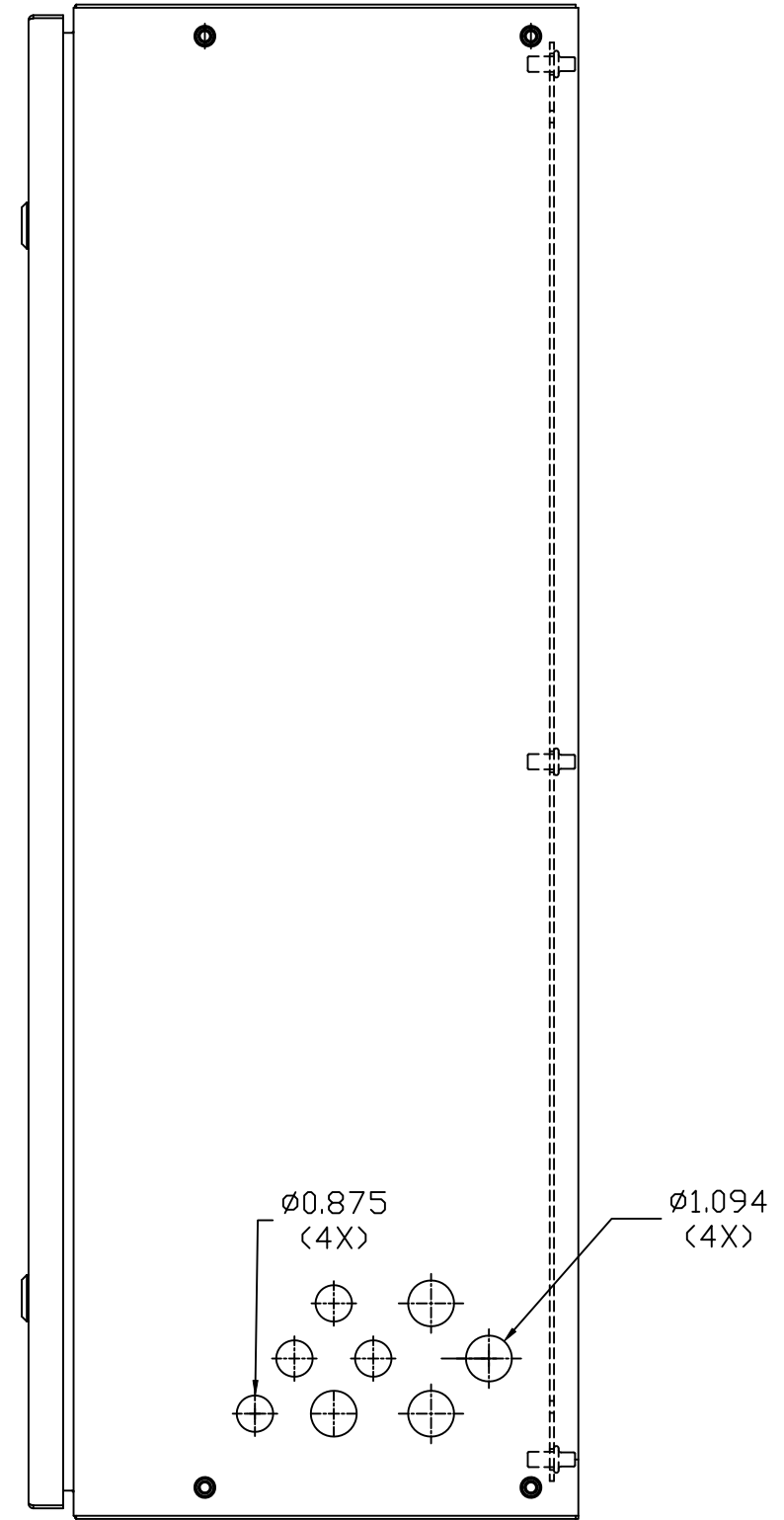


35.50
DOOR



36.00

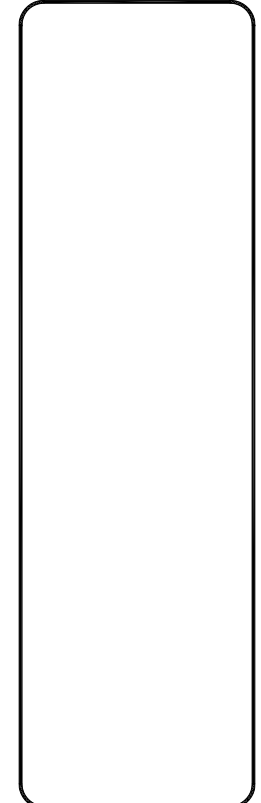
FRONT
VIEW



$\varnothing 0.875$
(4X)

$\varnothing 1.094$
(4X)

RIGHT SIDE
VIEW



ORION, a ProMach product brand
 4750 County Road 13 NE
 Alexandria, MN 56308
 PH 800-535-2730

DWG TITLE

**FLEX (STANDARD)
 RTA/RTD
 (CP1) ENCLOSURE AND
 CUTOUTS**

ENGINEER	CHECKED BY
JOB NO 758112	DRAWN BY DRV
SCALE NO SCALE	DATE 9/13/2022

DWG NO
758112-R

SHEET NO
15 OF 19

CAD DWG FILE C:\Users\duappi\Desktop\Elec_Design\Open Projects\Micro850 Flex Prints\Micro850 RTA\Prints\PG15.dwg

Installation: FIELD		Location: (ARM)				
TAGS	QTY	SUB	ASSYCODE	MFG	CATALOG	DESCRIPTION
MTR302	1		SEE	MECHANICAL	BDM	
PE20208	1	*1	759585	SICK	1125850/GL10-R9811P16	
		*1	716301	SICK	7022976/MB-W2000B	
		*1	727356	SICK	7020558/6200A-3P	
CBL301	1	*0	730915	SOUTH WIRE	16/4 SLE00W	
CBL117	1	*0	TBD	TBD	TBD	

Installation: FIELD		Location: (FRAME)				
TAGS	QTY	SUB	ASSYCODE	MFG	CATALOG	DESCRIPTION
FC60102B FC60103A	2	*1	735512	SMC	AS2201F-N01-07SD	
		*1	743169	SMC	KQ2C-07BU-B	
FC60102C	1	*1	735512	SMC	AS2201F-N01-07SD	
		*1	743170	SMC	KQ2C-07B-B	
FC60102A FC60103B	2	*1	735512	SMC	AS2201F-N01-07SD	
		*1	743172	SMC	KQ2C-07R-B	
FC60103C	1	*1	735512	SMC	AS2201F-N01-07SD	
		*1	743171	SMC	KQ2C-07W-B	
WRC20113	1	*1	752722	TELE RADIO	PN-R8-1	
		*1	752721	TELE RADIO	PN-T13-3	
		*1	752068	TELE RADIO	F-200103-1V1	
FR60108	1		728999	SMC	AW20-N02CE-CZ-B	
LS20201 LS20202	2		747573	SUNS	SN3108-SP-D	
BRK30211 CYL60102A CYL60102B CYL60102C HW121 MTR202	6		SEE	MECHANICAL	BDM	
MUF60108A MUF60108B MUF60108C MUF60108D	4		TBD	TBD	TBD	
HES30115	1	*1	731131	FESTO	152820/SME-8-K-LED-230	
		*1	731132	FESTO	538937/SMBR-8-8/100-S6	
PRS30103	1	*1	SEE	LISTED	OPTIONS	
		*1	712251 (LPD/LPA)	SICK	1040780/IME12-08NPSZCDS	
		*1	728707 (HPD/HPA)	SICK	1041046/IME30-20NPSZCDS	
		*1	738870	MURR	7000-12221-0140500	
PRS30102	1	*1	712251	SICK	1040780/IME12-08NPSZCDS	
		*1	738870	MURR	7000-12221-0140500	
PS30114	1		721162	SMC	IS10-N01-6LP	
SOL30213 SOL30214 SOL30215	3	*1	743527	SMC	SY3120-5LNZ-N7	
		*1	743529	SMC	SY100-68-A-25	
SOL30802	1	*1	721152	SMC	SV3100-5W1U-03N	
		*1	738870	MURR	7001-12221-0140500	
CBL119	1	*0	727500	CABLE	18/3 SJE00W	
CBL121	1	*0	743010	CABLE	18/2 SJD00W	
CBL201	1	*0	730915	SOUTH WIRE	16/4 SLE00W	
XF118	1		019387	SQUARE D	250SV43B	

Installation: FIELD		Location: (CARRIAGE)				
TAGS	QTY	SUB	ASSYCODE	MFG	CATALOG	DESCRIPTION
MB1	1		732045	MURR	8000-88510-3980500	
GS20208	1	*1	739147	SICK	1059505/RE21-SAC	
		*1	732052	MURR	DEV45	
PE30113	1	*1	SEE	LISTED	OPTIONS	
		*1	754374 (STANDARD)	SICK	1222711/WTB261-24161420A00	
		*1	731972 (DARK LOAD)	SICK	1019229/WT34-B410	
		*1	732050	MURR	7000-40021-2240100	
PE30716	1	*1	731644	SICK	6028440/WF50-60B410	
		*1	744716	MURR	7000-88005-2100030	
		*1	757730	MURR	7000-41141-0000000	
		*1	743150	MURR	7000-40021-2240030	
PE30717	1	*1	731644	SICK	6028440/WF50-60B410	
		*1	744716	MURR	7000-88005-2100030	
PRS417	1	*1	731785	IFM	IG6083	
		*1	743147	MURR	7000-40121-2240060	
PRS30111 PRS30112	2	*1	731955	SICK	1041033/IME30-15BPD-ZCOK	
		*1	732049	MURR	7000-40121-2240100	
MTR402 SOL117	2		SEE	MECHANICAL	BDM	
CBL401	1	*0	739676	LUTZE	111371	

Installation: FIELD		Location: (FENCE)				
TAGS	QTY	SUB	ASSYCODE	MFG	CATALOG	DESCRIPTION
LC20300	1	*1	732249	BANNER	SLPP25-1110P88	
		*2	730973	BANNER	QDE-815D	
PE20201 PE20202 PE20203 PE20204	4		759585	SICK	1125850/GL10-R9811P16	

Installation: FIELD		Location: (MISC)				
TAGS	QTY	SUB	ASSYCODE	MFG	CATALOG	DESCRIPTION
PCS20204	1		017065	REES	04958-100	

C:\Users\jvopp\desktop\Elec_Design\Open Projects\Micro850 Flex Prints\Micro850 RTA\Prints\PG16.dwg

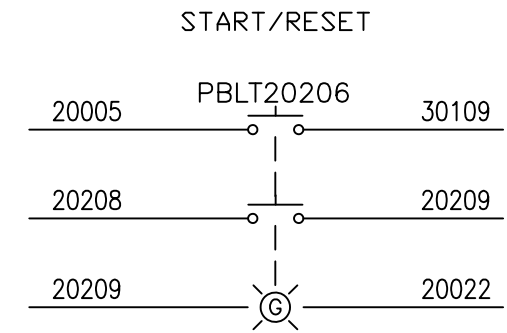
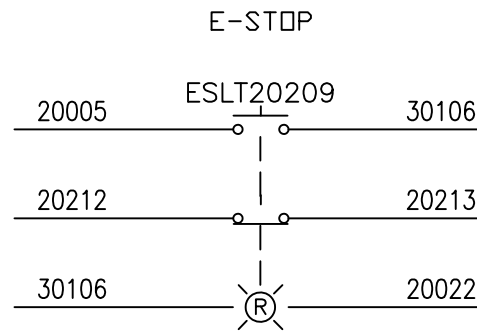
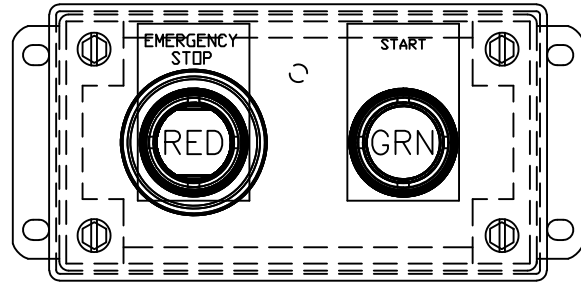
ORION, a ProMach product brand
 4750 County Road 13 NE
 Alexandria, MN 56308
 PH 800-535-2730

DWG TITLE
**FLEX (STANDARD)
 RTA/RTD
 MACHINE FIELD AND
 CARRIAGE BOM**

ENGINEER	CHECKED BY
JRV	JRV
JOB NO 758112	DATE 9/13/2022
SCALE NO SCALE	
DWG NO 758112-R	
SHEET NO 16 OF 19	

(CP4) REMOTE E-STOP AND START/RESET OPTION

E2PBGXM



TAGS	QTY	SUB	ASSYCODE	MFG	CATALOG
CP4	1	*1	707220	HOFFMAN	E2PBGXM
ESLT20202	1	*1	724097	AB	800FP-LMP44
		*1	724516	AB	800F-PN3R
		*1	724103	AB	800F-X01
		*1	724104	AB	800F-X10
PBLT20204	1	*1	724117	AB	800FP-LF3
		*1	724770	AB	800F-PN3G
		*2	724104	AB	800F-X10

ORION, a ProMach product brand

4750 County Road 13 NE
Alexandria, MN 56308
PH 800-535-2730

DWG TITLE
**FLEX (STANDARD)
RTA/RTD
REMOTE E-STOP/START**

ENGINEER	CHECKED BY
JOB NO 758112	DRAWN BY DRV
SCALE NO SCALE	DATE 9/13/2022

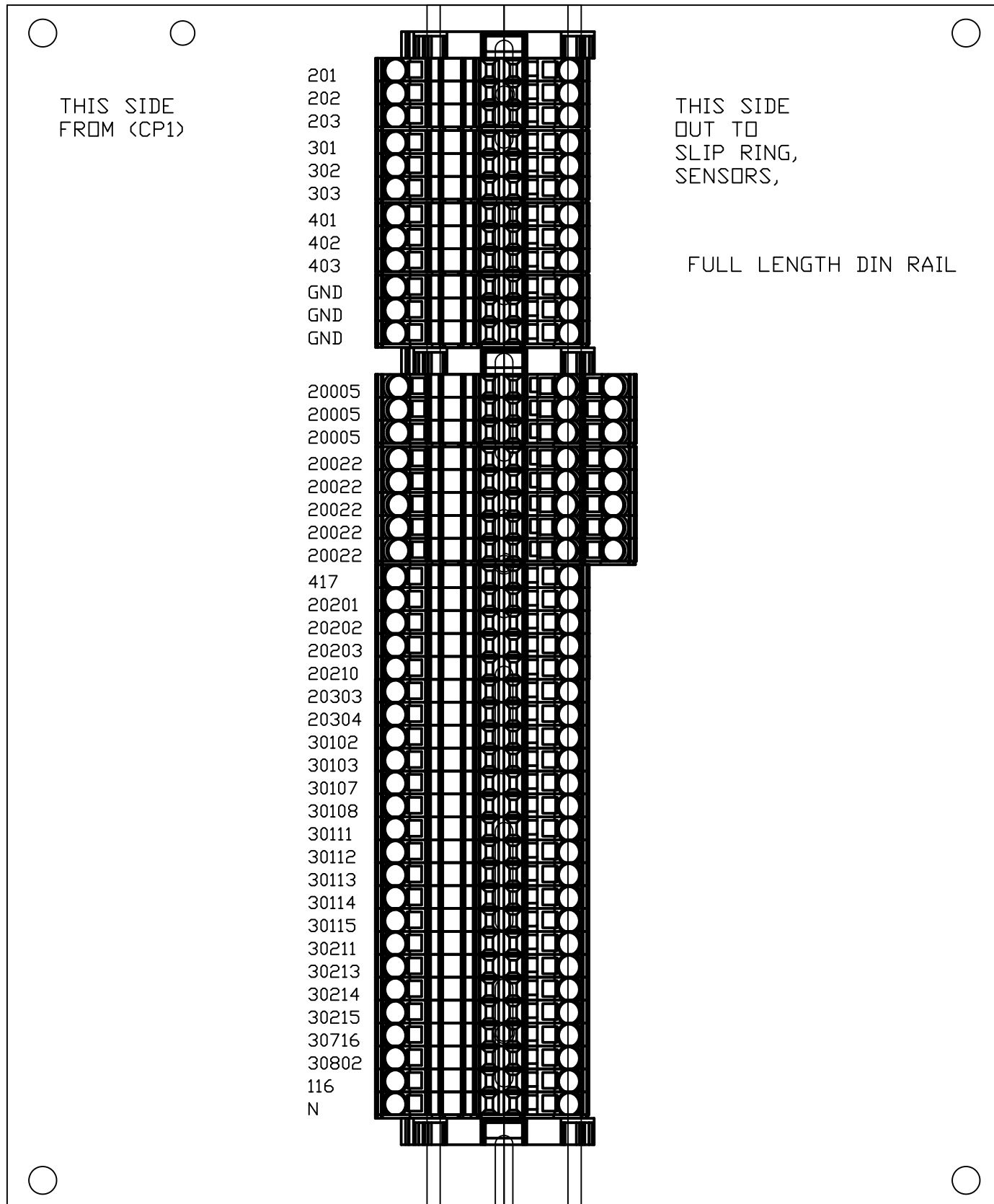
DWG NO
758112-R

SHEET NO
17 OF 19

C:\Users\dwpp1\Desktop\Elec_Design\Open Projects\Micro850 Flex Prints\Micro850 RTA\Prints\PG17.dwg

THIS WILL NEED TO BE UPDATED WITH NEW LABELS

A12P10G
(7XXXXX) KIT



HIGH VOLT TERMINALS (LEFT TO RIGHT)

- 249-116 END ANCHOR
- 2002-1201 201
- 2002-1201 202
- 2002-1201 203
- 2002-1291 END BARRIER
- 2002-1201 301
- 2002-1201 302
- 2002-1201 303
- 2002-1291 END BARRIER
- 2002-1201 401
- 2002-1201 402
- 2002-1201 403
- 2002-1291 END BARRIER

(7XXXXX)	
WAGO	PART #s AND AMOUNTS
249-116	(X3)
2002-1291	(X5)
2002-1201	(X33)
2002-1207	(X3)
2002-1391	(X2)
2002-1301	(X8)
2002-400	(X8)

GROUND TERMINALS (LEFT TO RIGHT)

- 2002-1207 { GND
- 2002-1207 { GND
- 2002-1207 { GND
- 2002-1291 END BARRIER
- 249-116 END ANCHOR

LOW VOLT TERMINALS (RIGHT TO LEFT)

- 2002-1301 { 20005 20005
- 2002-1301 { 20005 20005
- 2002-1301 { 20005 20005
- 2002-1391 END BARRIER
- 2002-1301 { 20022 20022
- 2002-1301 { 20022 20022
- 2002-1301 { 20022 20022
- 2002-1301 { 20022 20022
- 2002-1301 { 20022 20022
- 2002-1391 END BARRIER
- 2002-1201 417
- 2002-1201 20201
- 2002-1201 20202
- 2002-1201 20203
- 2002-1201 20210
- 2002-1201 20303
- 2002-1201 20304
- 2002-1201 30102
- 2002-1201 30103
- 2002-1201 30107
- 2002-1201 30108
- 2002-1201 30111
- 2002-1201 30112
- 2002-1201 30113
- 2002-1201 30114
- 2002-1201 30115
- 2002-1201 30211
- 2002-1201 30213
- 2002-1201 30214
- 2002-1201 30215
- 2002-1201 30716
- 2002-1201 30802
- 2002-1201 116
- 2002-1201 N
- 2002-1291 END BARRIER
- 249-116 END ANCHOR

CONNECTIONS TO (CP1)

- 20005 14 GA. BLUE
- 20022 14 GA. WHITE/BLUE
- 417 18 GA. BLUE
- 20201 18 GA. BLUE
- 20203 18 GA. BLUE
- 20210 18 GA. BLUE
- 20303 18 GA. BLUE (OPTION)
- 20304 18 GA. BLUE (OPTION)
- 30102 18 GA. BLUE
- 30103 18 GA. BLUE
- 30107 18 GA. BLUE
- 30108 18 GA. BLUE
- 30111 18 GA. BLUE
- 30112 18 GA. BLUE
- 30113 18 GA. BLUE
- 30114 18 GA. BLUE
- 30115 18 GA. BLUE
- 30211 18 GA. BLUE
- 30213 18 GA. BLUE
- 30214 18 GA. BLUE
- 30215 18 GA. BLUE
- 30716 18 GA. BLUE
- 30802 18 GA. BLUE
- 116 18 GA. RED
- N 18 GA. WHITE

ORION, a ProMach product brand
4750 County Road 13 NE
Alexandria, MN 56308
PH 800-535-2730

DWG TITLE
**FLEX (STANDARD)
RTA/RTD
FRAME ENCLOSURE
PANEL LAYOUT**

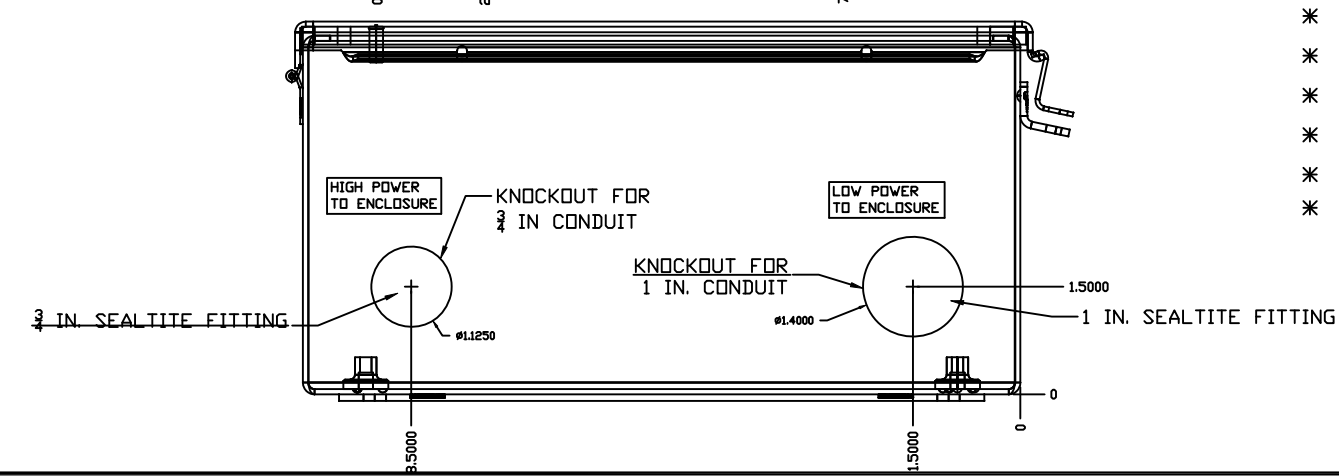
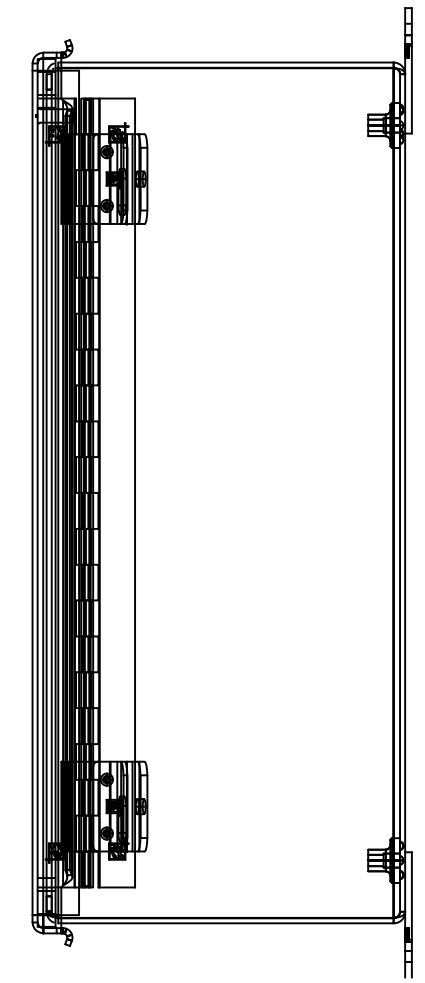
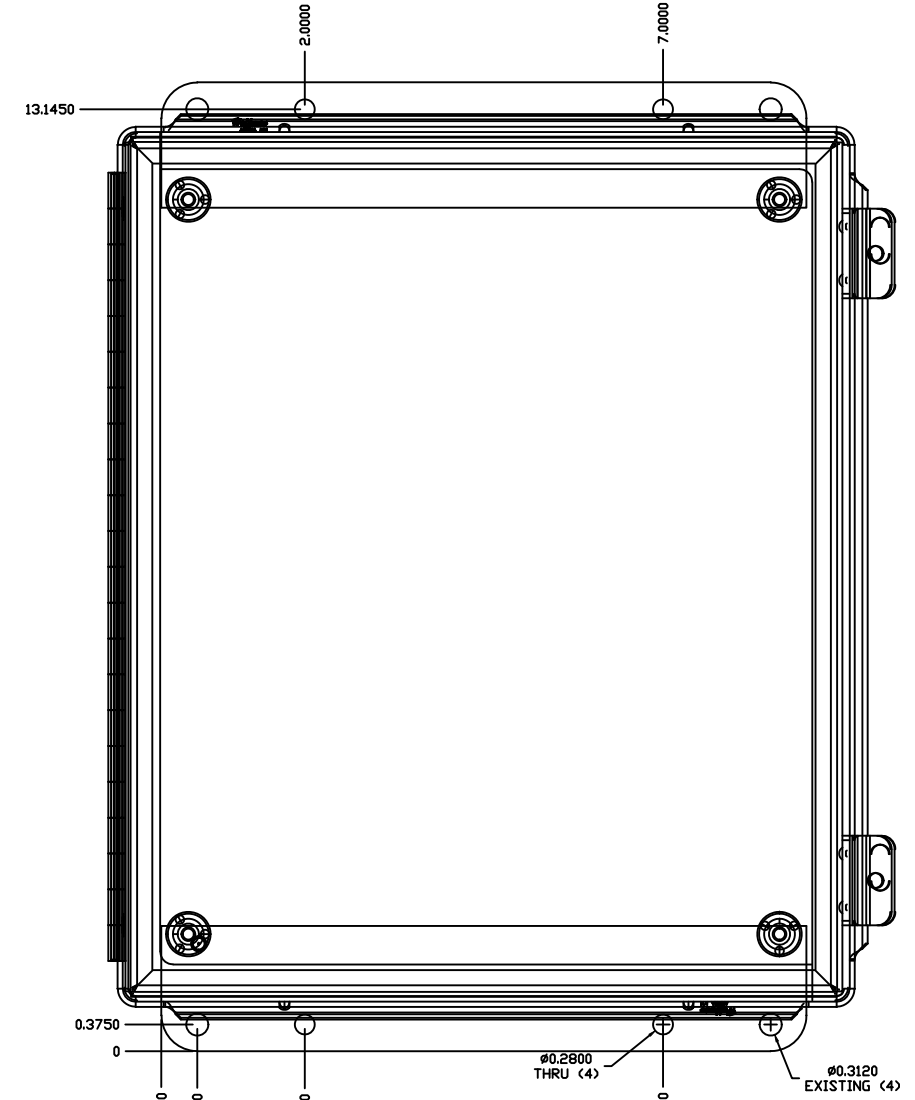
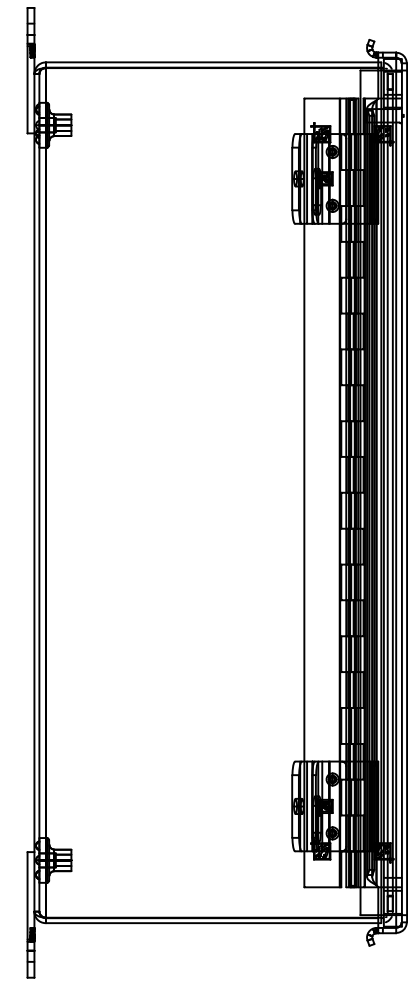
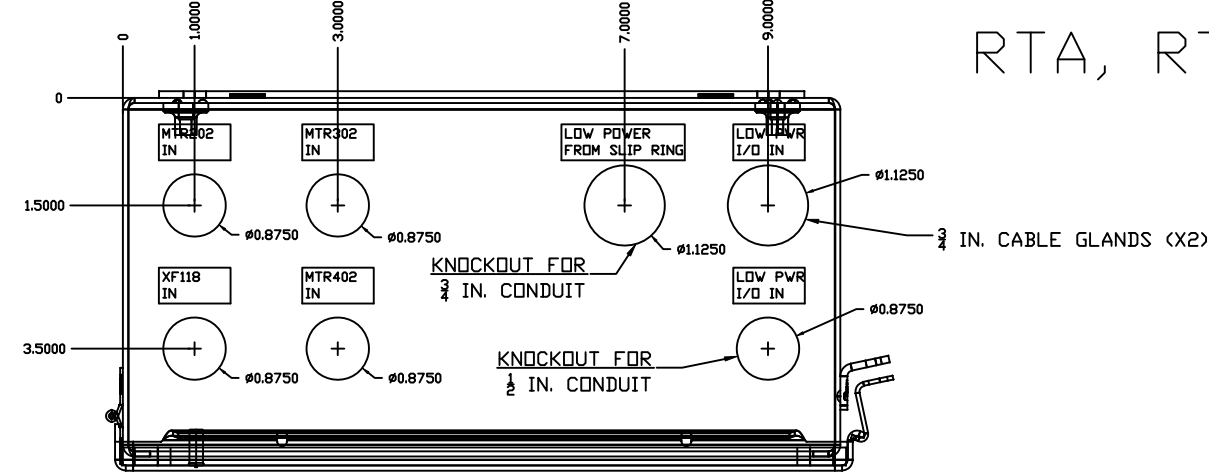
ENGINEER	CHECKED BY
JOB NO 758112	DRAWN BY DRV
SCALE NO SCALE	DATE 9/13/2022
DWG NO 758112-R	
SHEET NO 18 OF 19	

C:\Users\dwpp1\Desktop\Elec_Design\Open Projects\Micro850 Flex Prints\Micro850 RTA\Prints\PG18.dwg

RTA, RTD WITH REMOTE ENCLOSURE A1210CH

(7XXXXX KIT)

ENCLOSURE, BACK PANEL, AND CABLE GLANDS FROM KIT 7XXXXX



- * 1 IN. CABLE GLAND (X5), [LAPP P/N: DFLX - S2112]
- * 1 IN. BLACK NUT (X5), [LAPP P/N: DFLX - 911371]
- * 3/4 IN. CABLE GLAND (X2), [ABB P/N: THM - CC-NPT-34-B]
- * 1 IN. BLACK NUT (X2), [LAPP P/N: DFLX - 911372]
- * 1 IN. SEALTITE FITTING (X1), [ABB P/N: THM - LT75P]
- * 1 IN. SEALTITE FITTING (X1), [ABB P/N: THM - LT100P]

ORION, a ProMach product brand
4750 County Road 13 NE
Alexandria, MN 56308
PH 800-535-2730

FLEX (STANDARD)
RTA/RTD
FRAME
ENCLOSURE

ENGINEER	CHECKED BY
JOB NO 758112	DRAWN BY DRV
SCALE NO SCALE	DATE 9/13/2022
DWG NO 758112-R	
SHEET NO 19 OF 19	

C:\Users\droppi\Desktop\Elec_Design\Open Projects\Micro850 Flex Prints\Micro850 RTA\Prints\PG19.dwg