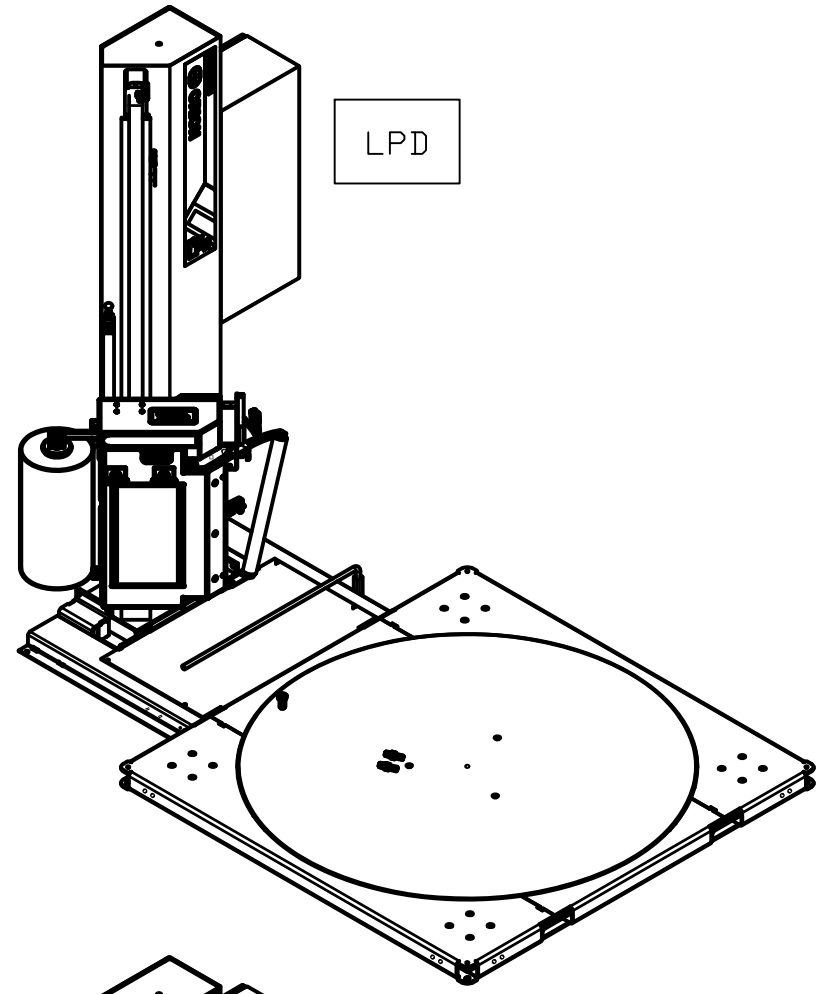
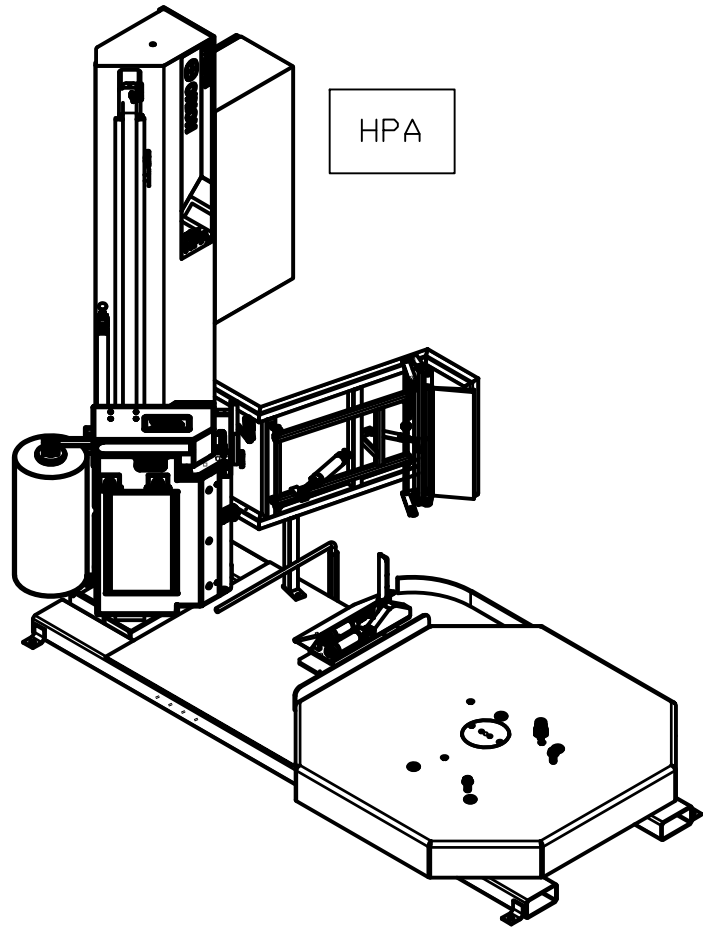


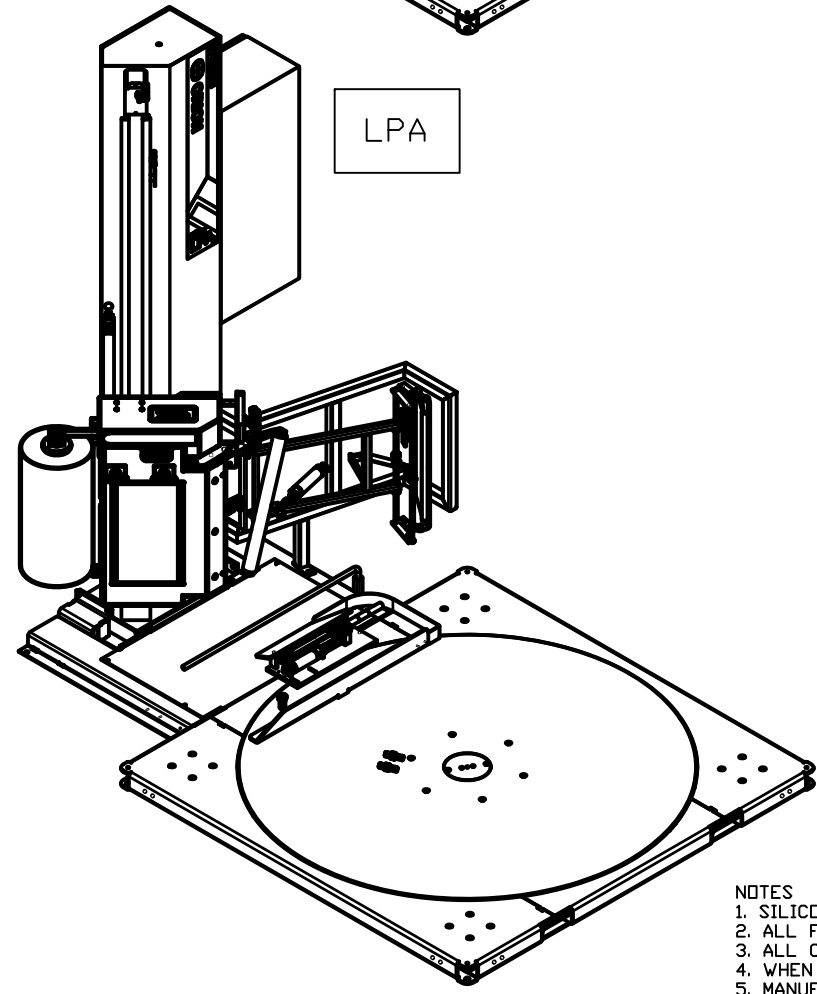
HPD



LPD



HPA



LPA

SH	DWGDESC	DWGDESC2	DWGDESC3	FILENAME
1	COVER PAGE			PG1
2	120VAC PDWER DROP	AND DISTRIBUTION	100/200	PG2
3	120VAC VFD		300/400	PG3
4	120VAC VFD	TOP PLATEN OPTION (CP2)	500	PG4
5	24VDC SUPPLY	AND DISTRIBUTION	20000/20100	PG5
6	START/STOP CIRCUIT		20200	PG6
7	LIGHT CURTAINS		20300/20400	PG7
8	2080-L50E-24QWB	INPUTS/OUTPUTS	30100/30200	PG8
9	PLUG-IN SLOTS 1 & 2	2080-IQ4/BLANK	30300/30400	PG9
10	PLUG-IN SLOT 3	BLANK	30500/30600	PG10
11	EXPANSION SLOTS	2085-IQ16/2085-OW16	30700/30800	PG11
12	EXPANSION END TERMINATOR	2085-ECR	30900/31000	PG12
13	CARRIAGE I/O BLOCK	STANDARD LAYOUT		PG13
14	CARRIAGE I/O BLOCK	WITH OPTIONS		PG14
15	PNEUMATIC	SCHEMATIC	60100	PG15
16	SPLIT BASE OPTION	EXTENDED TOWER	70100/70200	PG16
17	TOP PLATEN	LOW PWR J-BOX		PG17
18	TOP PLATEN	HIGH PWR J-BOX		PG18
19	DUAL TURNTABLE OPTION		70500/70600	PG19
20	(CP1) BACKPANEL AND	PANEL BDM		PG20
21	(CP1) ENCLOSURE AND	CUTOUTS		PG21
22	DUAL TURNTABLE (CP3)	LAYOUT		PG22
23	MACHINE FIELD AND	CARRIAGE BDM		PG23
24	REMOTE E-STOP/START			PG24

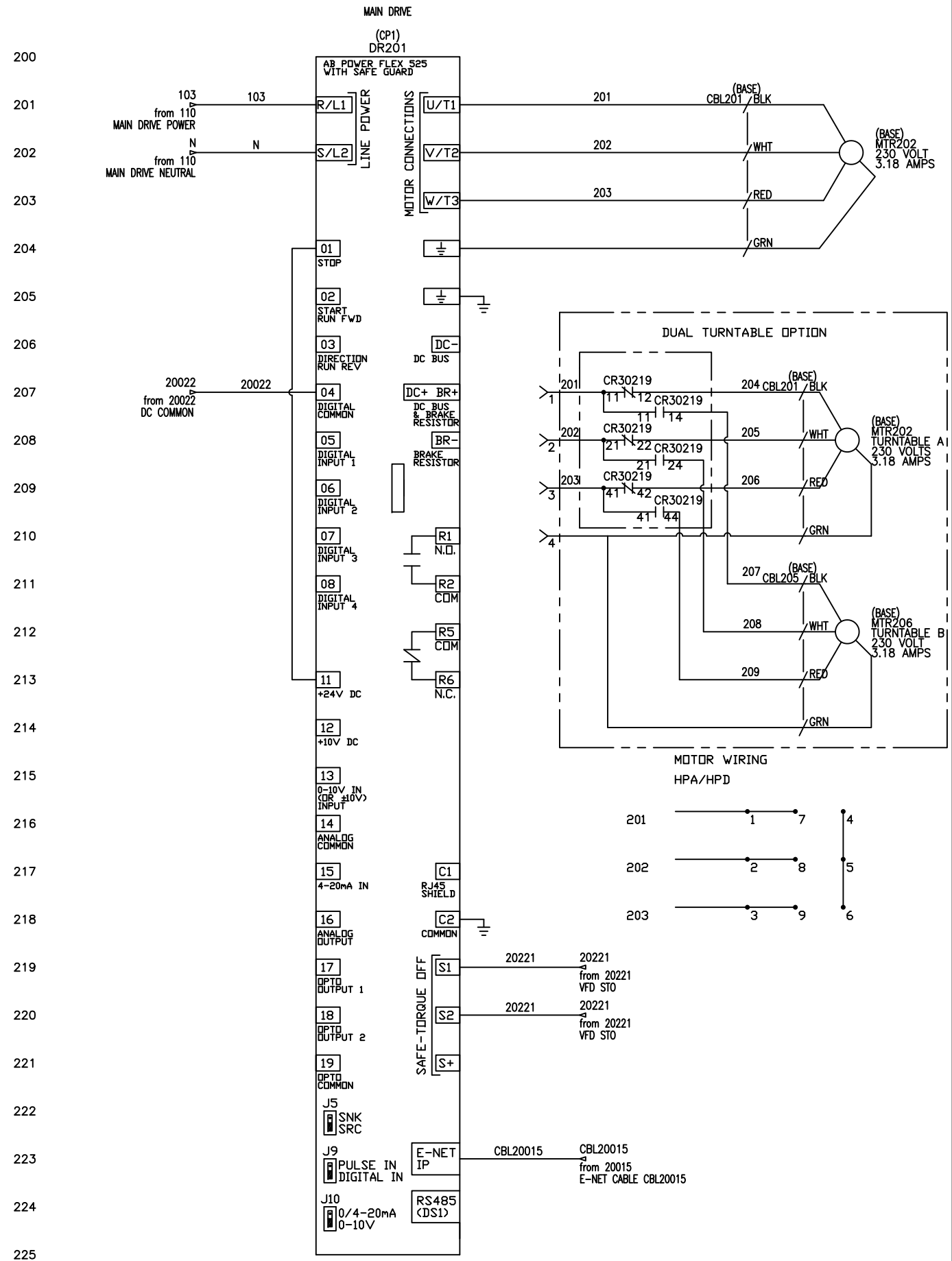
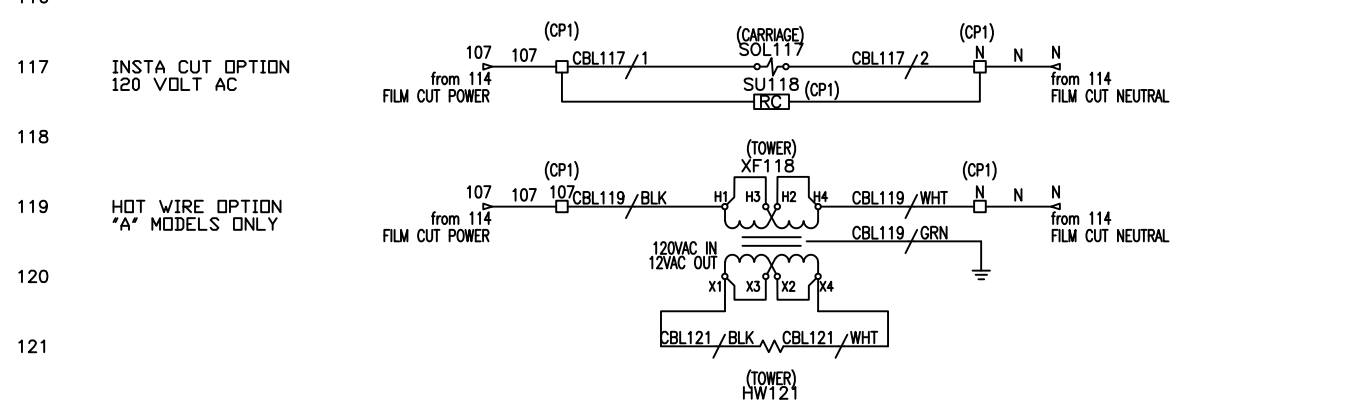
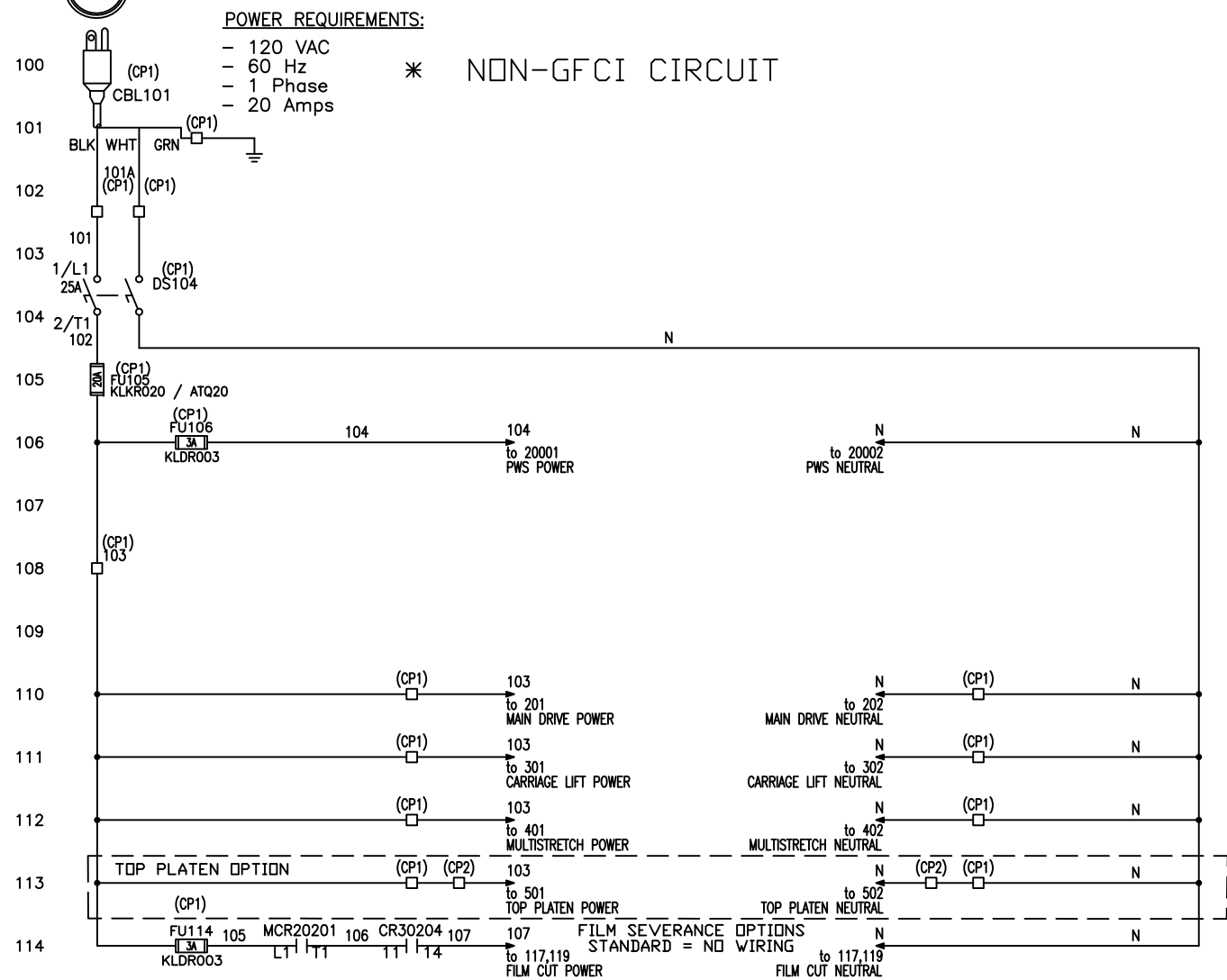
WIRING COLOR AND SIZE  
 120VAC (RED) 14 AWG MINIMUM  
 NEUTRAL (WHITE) 14 AWG MINIMUM  
 GND (GREEN/YELLOW) 14 AWG MINIMUM  
 +24VDC (BLUE) 18 AWG MINIMUM  
 DC COMMON (WHITE/BLUE) 18 AWG MINIMUM  
 CABLE COLORS AND GAUGE ARE LISTED IN PRINTS

- NOTES
1. SILICONE BASE PRODUCTS SHALL NOT BE USED ANYWHERE IN THIS ASSEMBLY.
  2. ALL FIELD CONTROL WIRE TO BE A MINIMUM 14 AWG 75C COPPER, UNLESS OTHERWISE NOTED.
  3. ALL CONDUIT HUB RATINGS MUST BE EQUAL TO OR SURPASS THE ASSEMBLY ENVIRONMENT RATING.
  4. WHEN ORDERING REPLACEMENT PARTS, PLEASE SUPPLY THE JOB NUMBER AS SHOWN INSIDE THE CONTROL PANEL DOOR.
  5. MANUFACTURES OF COMPONENTS USED IN THIS ASSEMBLY ARE SUBJECT TO CHANGE WITHOUT NOTICE.
  6. THIS DOCUMENT IS THE PROPERTY OF THE END USER, PLEASE DO NOT REMOVE FROM THE ELECTRICAL CONTROL ENCLOSURE.
  7. ALL WIRES CONNECTED TO THE B&R X20 IO MUST HAVE FERRULS.

**ORION, a ProMach product brand**  
 4750 County Road 13 NE  
 Alexandria, MN 56308  
 PH 800-535-2730

DWG TITLE	
FLEX (STANDARD) HPA/LPA/HPD/LPD COVER PAGE	
ENGINEER	CHECKED BY
JOB NO 758112	DRAWN BY DRV
SCALE NO SCALE	DATE 8/23/2022
DWG NO 758112-T	
SHEET NO 1 OF 24	

CAD DWG FILE I:\ELEC\Orion\FLEX 10-2022\Micro850 Flex H&L\Prints\REV B\PG1.dwg



NOTE: SET J5 SNK/SRC DIP SWITCH TO SRC

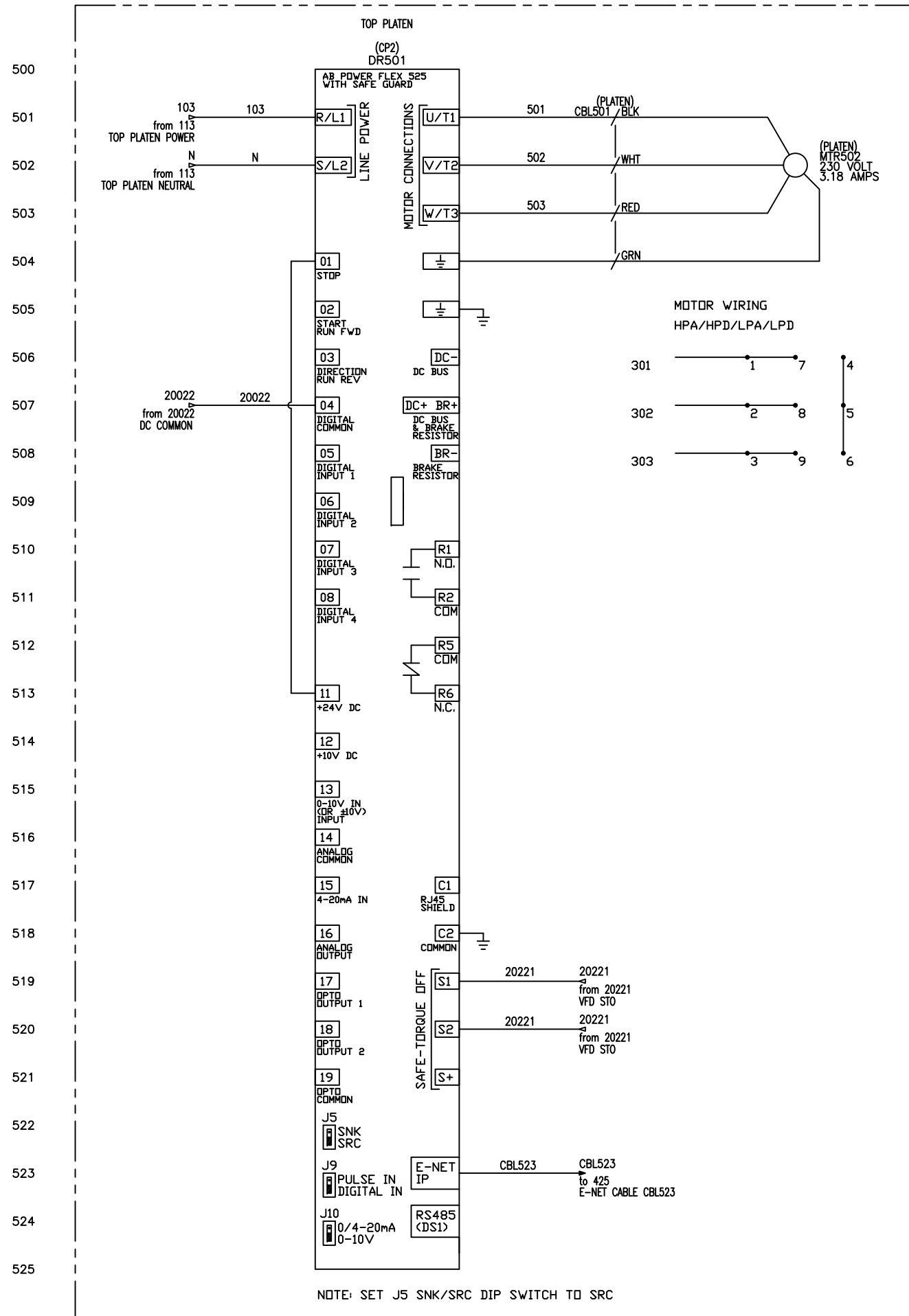
**ORION, a ProMach product brand**  
 4750 County Road 13 NE  
 Alexandria, MN 56308  
 PH 800-535-2730

DWG TITLE	
FLEX (STANDARD) HPA/LPA/HPD/LPD 120VAC POWER DROP AND DISTRIBUTION	
ENGINEER	CHECKED BY
JOB NO 758112	DRAWN BY DRV
SCALE NO SCALE	DATE 8/23/2022
DWG NO 758112-T	
SHEET NO 2 OF 24	

CAD DWG FILE I:\ELECC\Orion\FLEX 10-2022\Micro850 Flex H&L\Prints\REV B\PG2.dwg

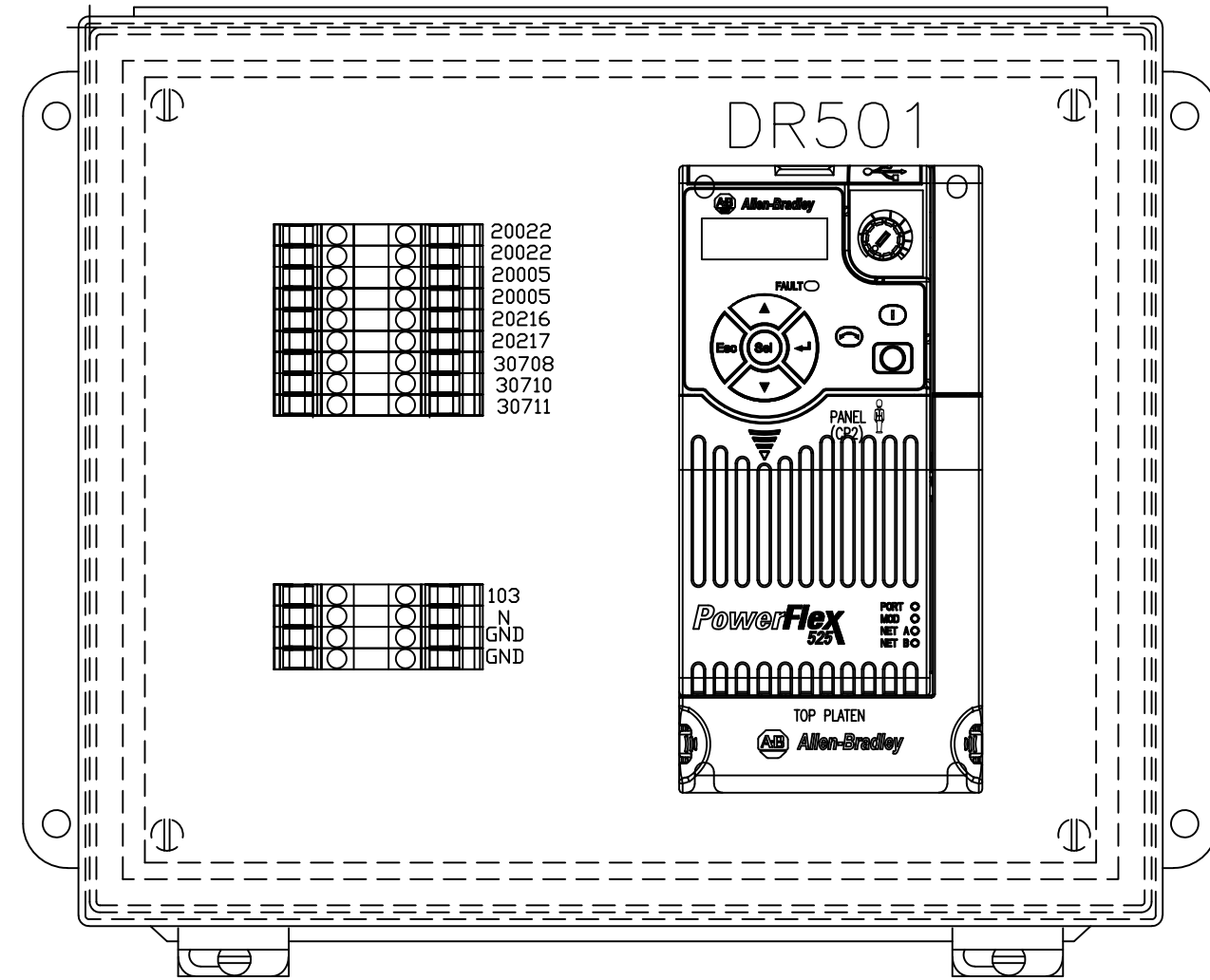


TOP PLATEN OPTION



TOP PLATEN OPTION (HPA/HPD/LPA/LPD)

(CP2) A-1210CH



USE SEALTITE TO CONNECT CP2 TO CP1. RUN CONNECTIONS LISTED ABOVE AND E-NET.

Installation: PANEL		Location: (CP2)				
TAGS	QTY	SUB	ASSYCODE	MFG	CATALOG	DESCRIPTION
DR501	1	*1	741206	AB	25B-V4P8N104	
		*1	737500	AB	25-COMM-E2P	
		*1	717007	HOFFMAN	A12108CH	
		*1	736134	HOFFMAN	A12P10G	

ORION, a ProMach product brand

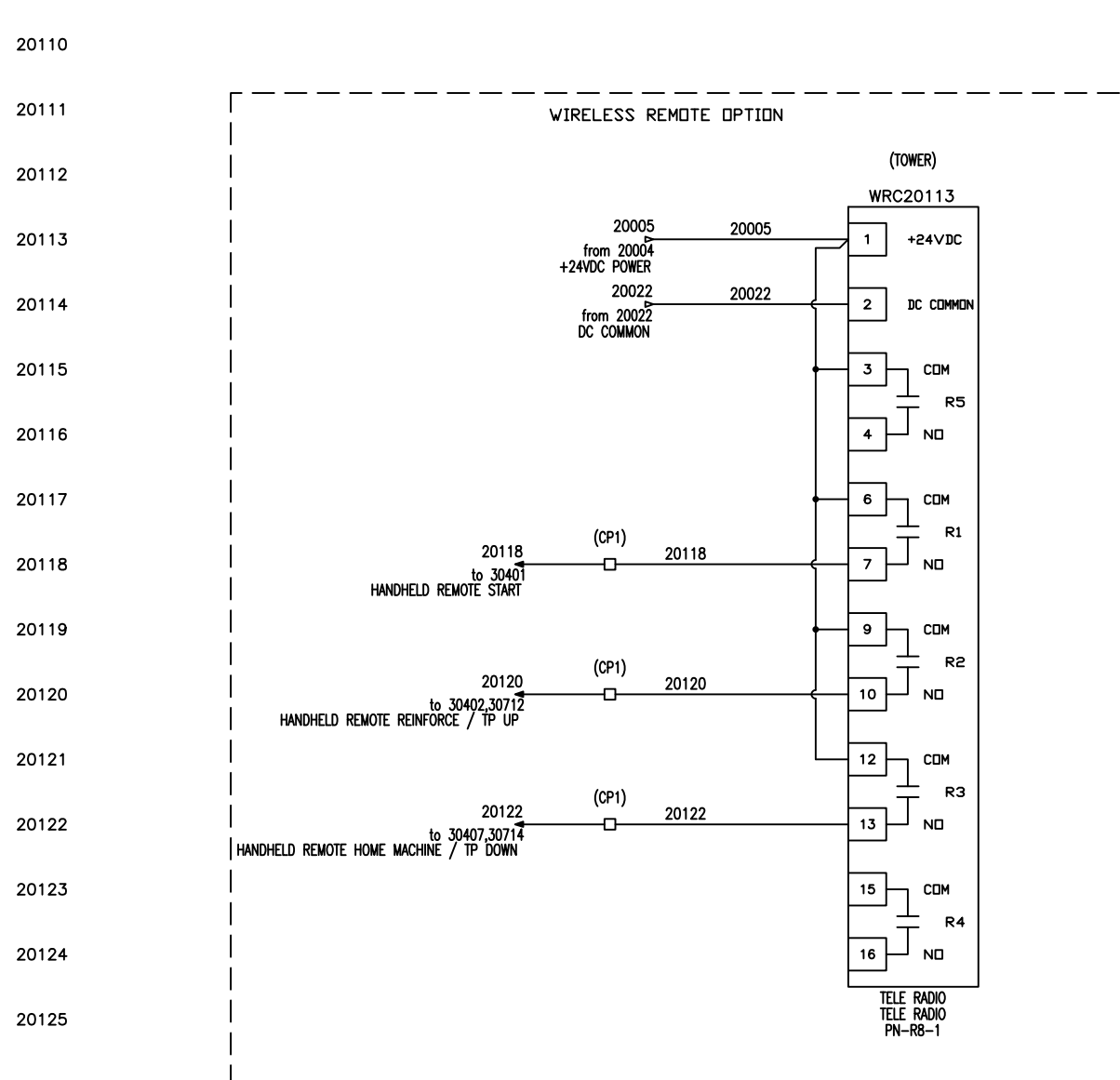
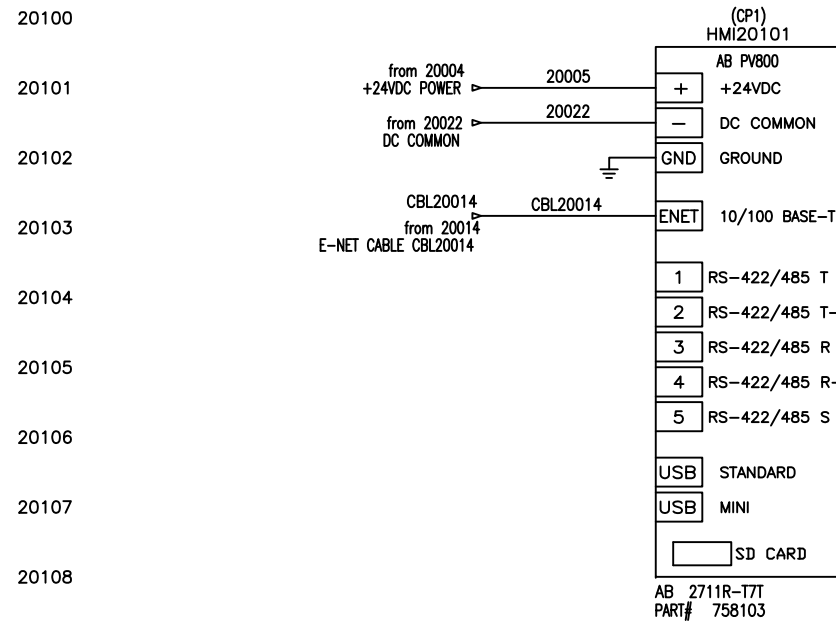
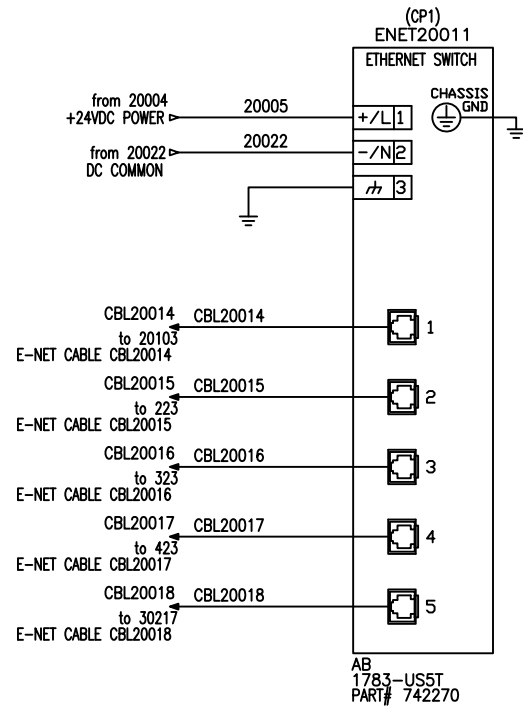
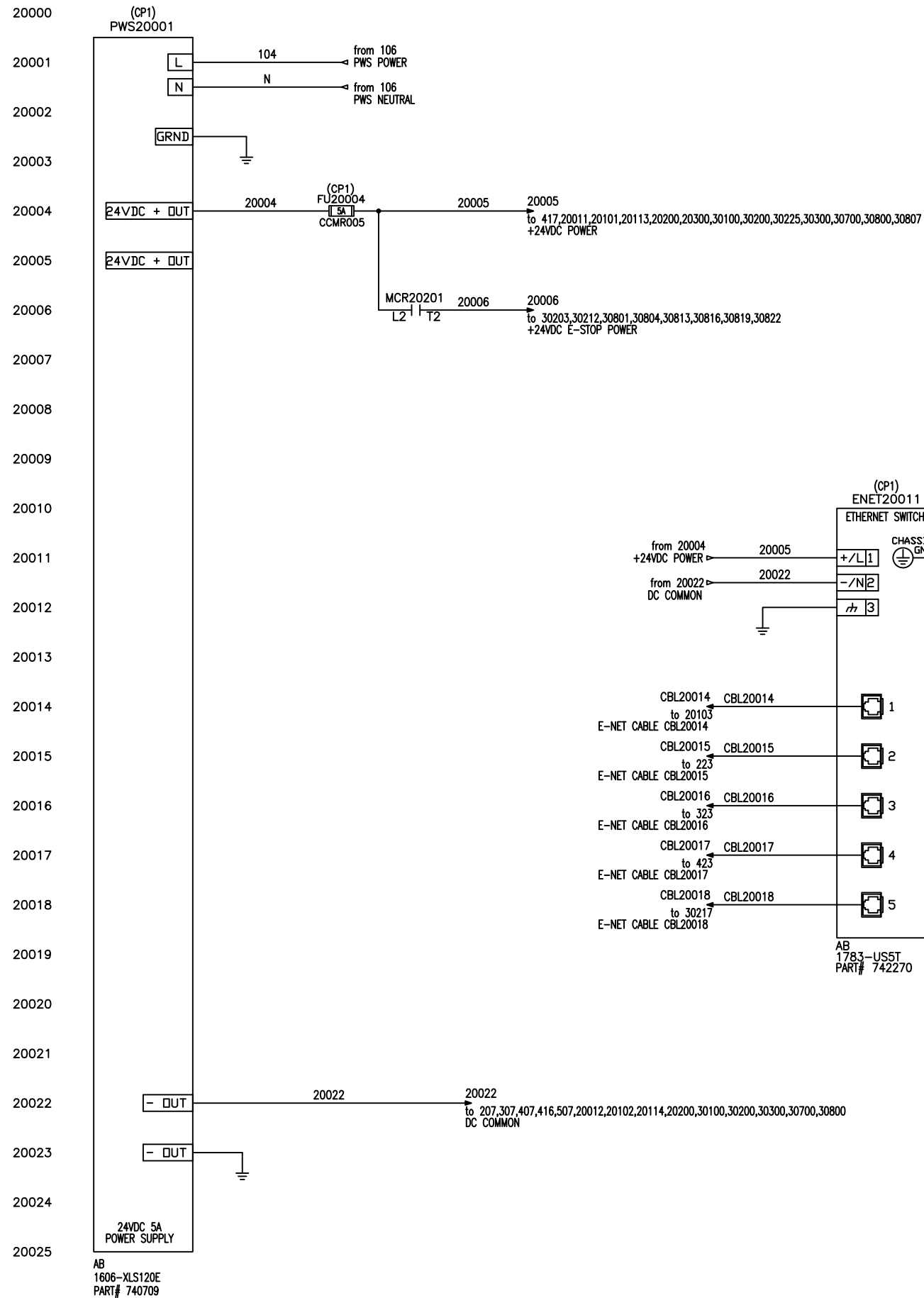
4750 County Road 13 NE  
Alexandria, MN 56308  
PH 800-535-2730

C:\DWG FILES\1\VELEC\ORION\FLEX 10-2022\Micro850 Flex H&L\Prints\REV B\PG4.dwg

DWG TITLE

**FLEX (STANDARD)  
HPA/LPA/HPD/LPD  
120VAC VFD  
TOP PLATEN OPTION (CP2)**

ENGINEER	CHECKED BY
JOB NO 758112	DRAWN BY DRY
SCALE NO SCALE	DATE 8/23/2022
DWG NO 758112-T	
SHEET NO 4 OF 24	



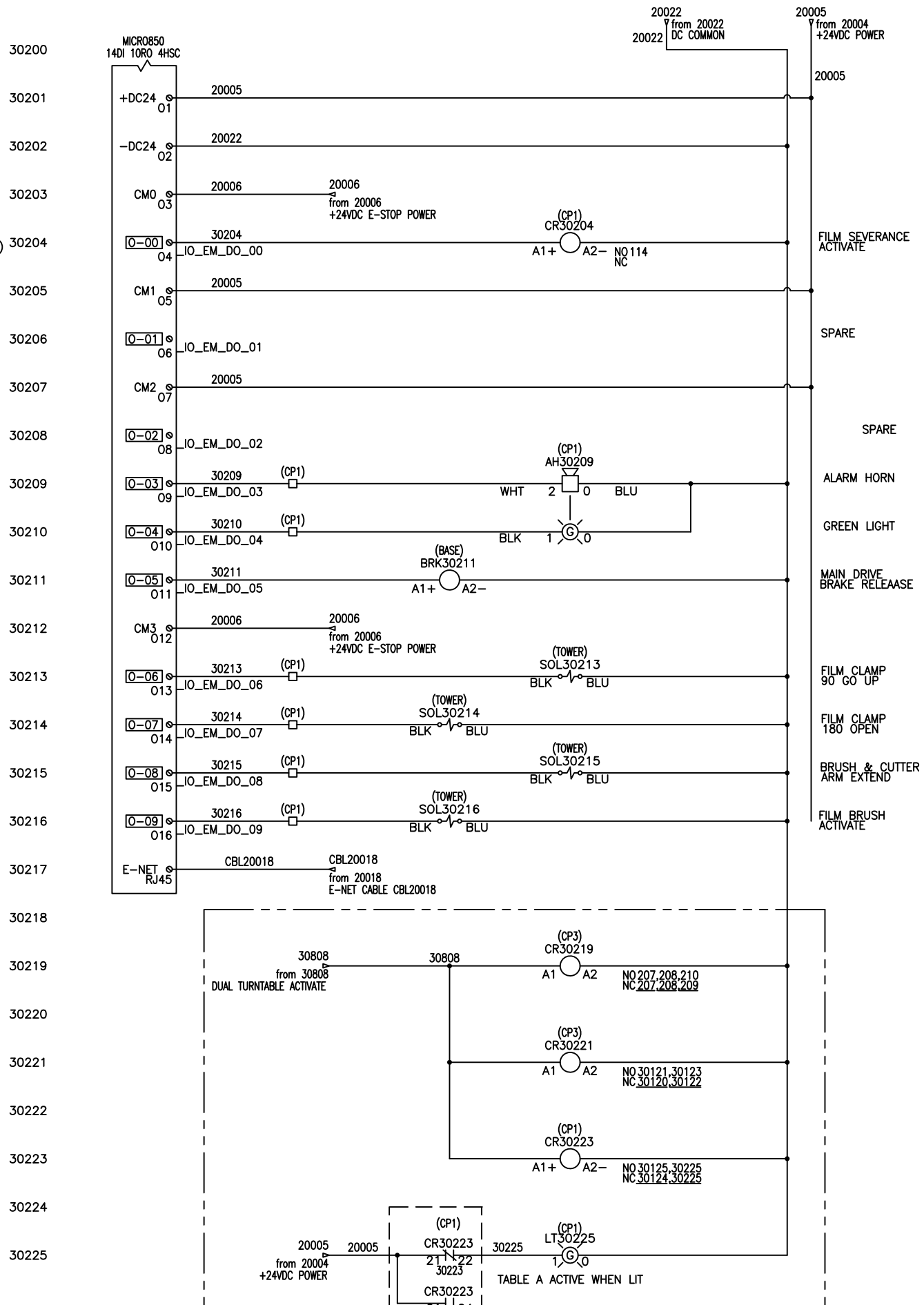
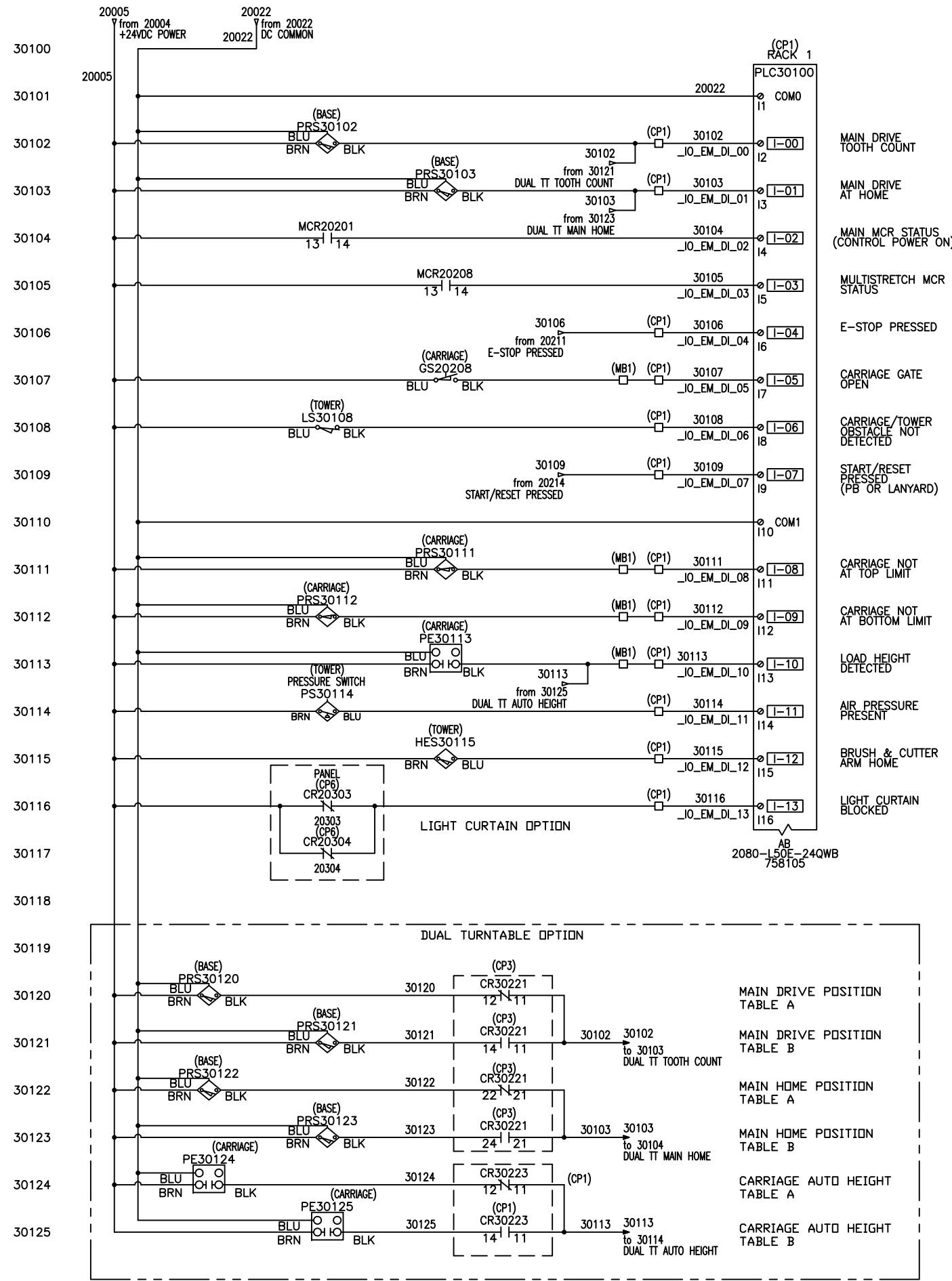
**ORION, a ProMach product brand**  
 4750 County Road 13 NE  
 Alexandria, MN 56308  
 PH 800-535-2730

DWG TITLE	
FLEX (STANDARD) HPA/LPA/HPD/LPD 24VDC SUPPLY AND DISTRIBUTION	
ENGINEER	CHECKED BY
JDRV	JDRV
JOB NO 758112	DATE 8/23/2022
SCALE NO SCALE	
DWG NO 758112-T	
SHEET NO 5 OF 24	

CAD DWG FILE I:\VELEC\Orion\FLEX 10-2022\Micro850 Flex H&L\Prints\REV B\PG5.dwg







**ORION, a ProMach product brand**  
 4750 County Road 13 NE  
 Alexandria, MN 56308  
 PH 800-535-2730

DWG TITLE	
FLEX (STANDARD) HPA/LPA/HPD/LPD 2080-150E-24QWB INPUTS/OUTPUTS	
ENGINEER	CHECKED BY
JOB NO 758112	DRAWN BY DRV
SCALE NO SCALE	DATE 8/23/2022
DWG NO 758112-T	
SHEET NO 8 OF 24	

CAD DWG FILE I:\ELEC\ORION\FLEX 10-2022\Micro850 Flex H&L\Prints\REV B\PG8.dwg

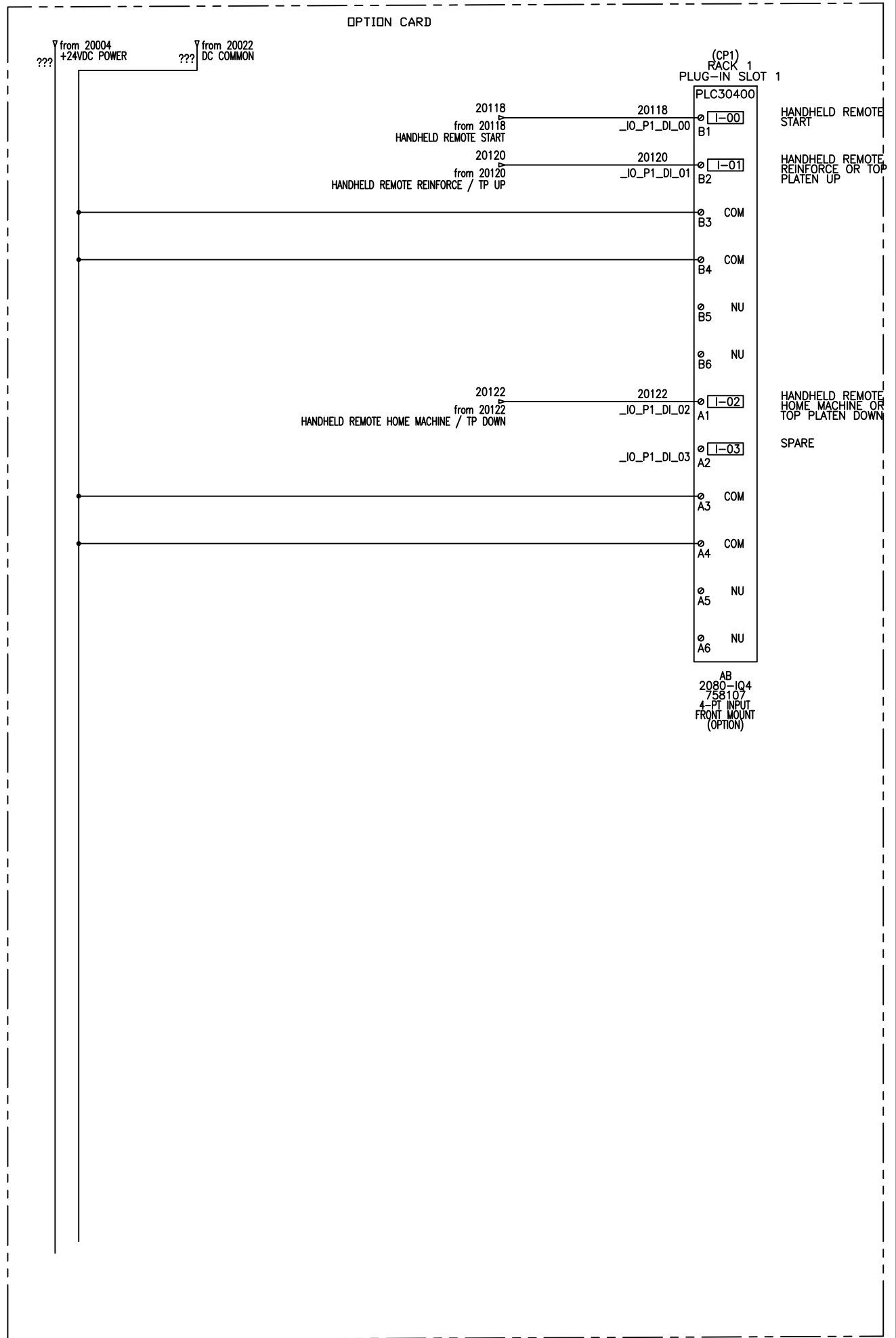


30300  
30301  
30302  
30303  
30304  
30305  
30306  
30307  
30308  
30309  
30310  
30311  
30312  
30313  
30314  
30315  
30316  
30317  
30318  
30319  
30320  
30321  
30322  
30323  
30324  
30325

(CP1)  
RACK 1  
PLUG-IN SLOT 2  
PLC30300

AB  
10000112527  
BLANK PLATE  
MICRO800 FRONT MOUNT

30400  
30401  
30402  
30403  
30404  
30405  
30406  
30407  
30408  
30409  
30410  
30411  
30412  
30413  
30414  
30415  
30416  
30417  
30418  
30419  
30420  
30421  
30422  
30423  
30424  
30425

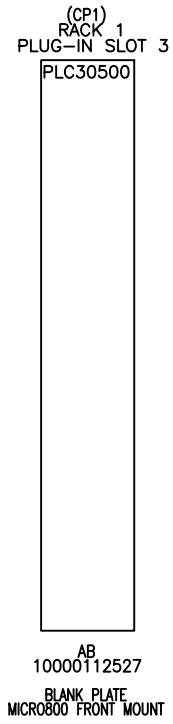


**ORION, a ProMach product brand**  
4750 County Road 13 NE  
Alexandria, MN 56308  
PH 800-535-2730

DWG TITLE	
FLEX (STANDARD) HPA/LPA/HPD/LPD PLUG-IN SLOTS 1 & 2 2080-IQ4/BLANK	
ENGINEER	CHECKED BY
JOB NO 758112	DRAWN BY DRV
SCALE NO SCALE	DATE 8/23/2022
DWG NO 758112-T	
SHEET NO 9 OF 24	

CAD DWG FILE I:\ELEC\Orion\FLEX 10-2022\Micro850 Flex H&L\Prints\REV B\PG9.dwg

30500  
30501  
30502  
30503  
30504  
30505  
30506  
30507  
30508  
30509  
30510  
30511  
30512  
30513  
30514  
30515  
30516  
30517  
30518  
30519  
30520  
30521  
30522  
30523  
30524  
30525

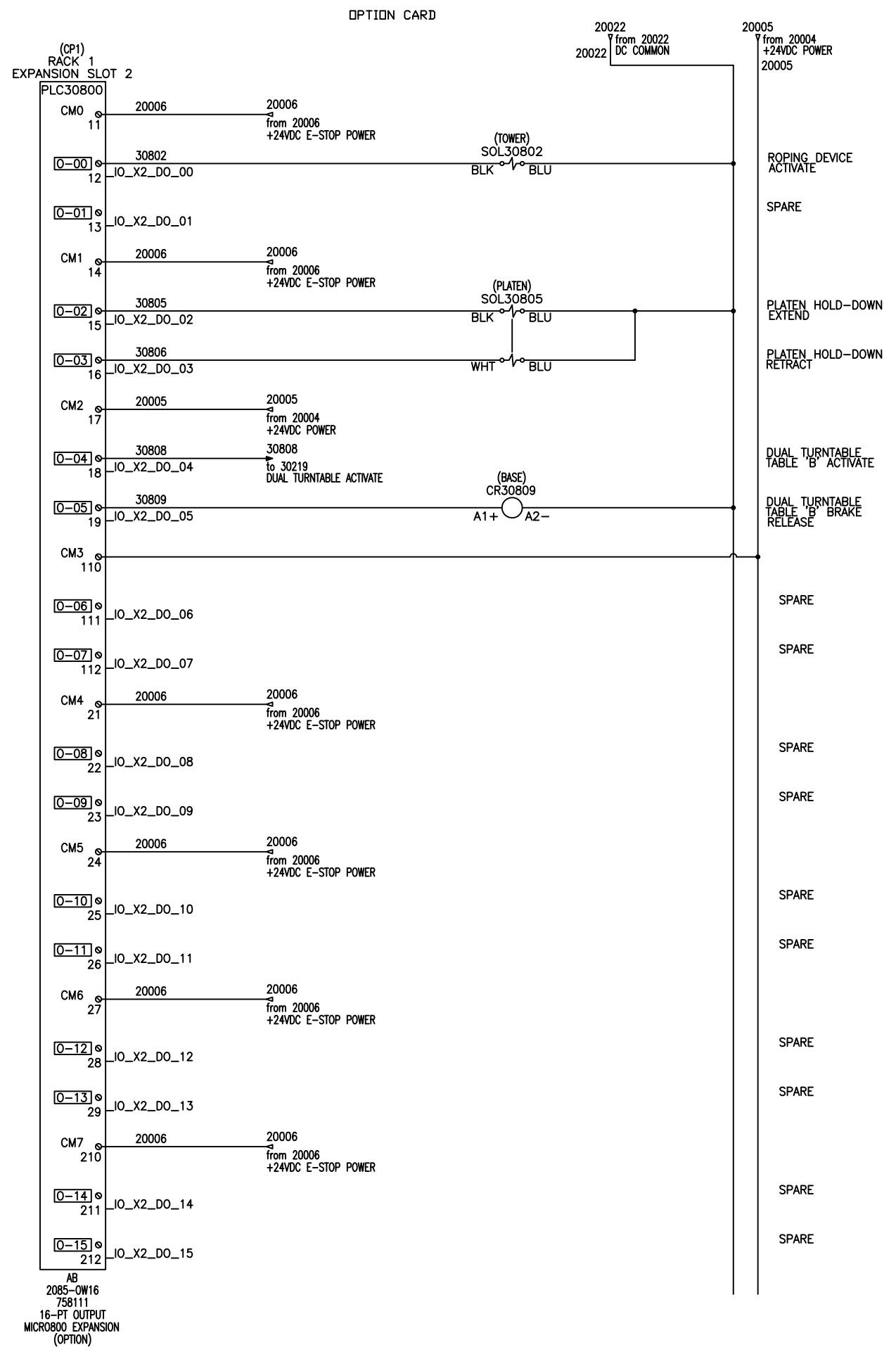
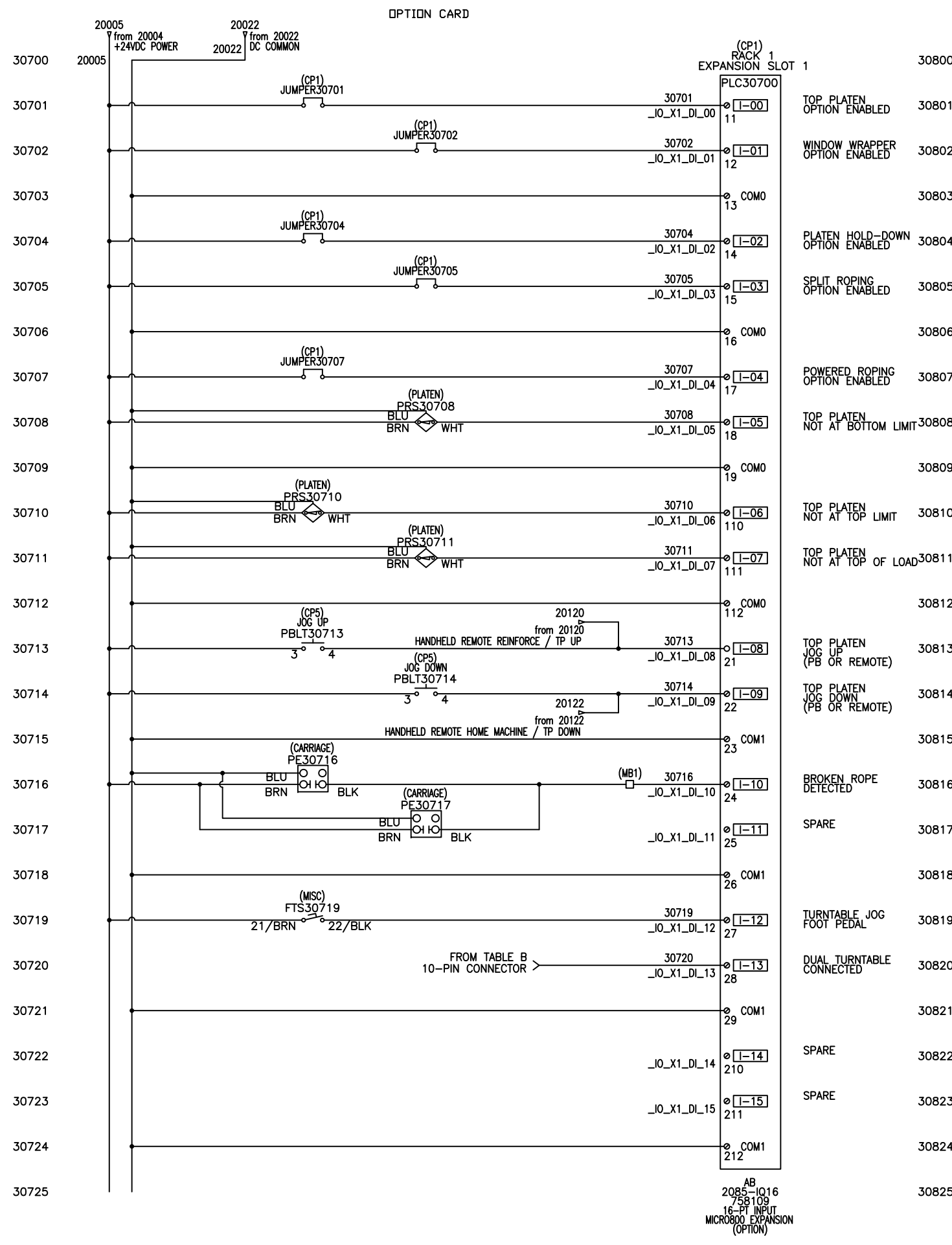


30600  
30601  
30602  
30603  
30604  
30605  
30606  
30607  
30608  
30609  
30610  
30611  
30612  
30613  
30614  
30615  
30616  
30617  
30618  
30619  
30620  
30621  
30622  
30623  
30624  
30625

**ORION, a ProMach product brand**  
4750 County Road 13 NE  
Alexandria, MN 56308  
PH 800-535-2730

DWG TITLE	
<i>FLEX (STANDARD) HPA/LPA/HPD/LPD PLUG-IN SLOT 3 BLANK</i>	
ENGINEER	CHECKED BY
JOB NO 758112	DRAWN BY DRV
SCALE NO SCALE	DATE 8/23/2022
DWG NO 758112-T	
SHEET NO 10 OF 24	

CAD DWG FILE I:\ELEC\Orion\FLEX\_10-2022\Micro850 Flex H&L\Prints\REV B\PG10.dwg

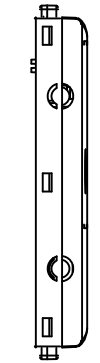


**ORION, a ProMach product brand**  
 4750 County Road 13 NE  
 Alexandria, MN 56308  
 PH 800-535-2730

CAD DWG FILE I:\ELEC\Orion\FLEX 10-2022\Micro850 Flex H&L\Prints\REV B\PG11.dwg

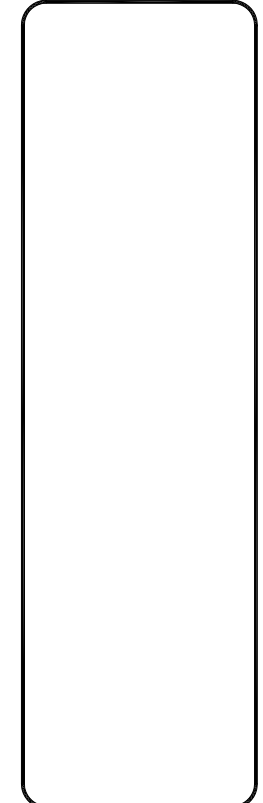
DWG TITLE	
<b>FLEX (STANDARD) HPA/LPA/HPD/LPD EXPANSION SLOTS 2085-IQ16/2085-0W16</b>	
ENGINEER	CHECKED BY
JOB NO 758112	DRAWN BY DRV
SCALE NO SCALE	DATE 8/23/2022
DWG NO 758112-T	
SHEET NO 11 OF 24	

30900  
30901  
30902  
30903  
30904  
30905  
30906  
30907  
30908  
30909  
30910  
30911  
30912  
30913  
30914  
30915  
30916  
30917  
30918  
30919  
30920  
30921  
30922  
30923  
30924  
30925



2085-ECR  
(760540)

31000  
31001  
31002  
31003  
31004  
31005  
31006  
31007  
31008  
31009  
31010  
31011  
31012  
31013  
31014  
31015  
31016  
31017  
31018  
31019  
31020  
31021  
31022  
31023  
31024  
31025



**ORION, a ProMach product brand**

4750 County Road 13 NE  
Alexandria, MN 56308  
PH 800-535-2730


DWG TITLE  
**FLEX (STANDARD)  
HPA/LPA/HPD/LPD  
EXPANSION END TERMINATOR  
2085-ECR**

ENGINEER	CHECKED BY
JRV	JRV
JRV	JRV
NO SCALE	8/23/2022

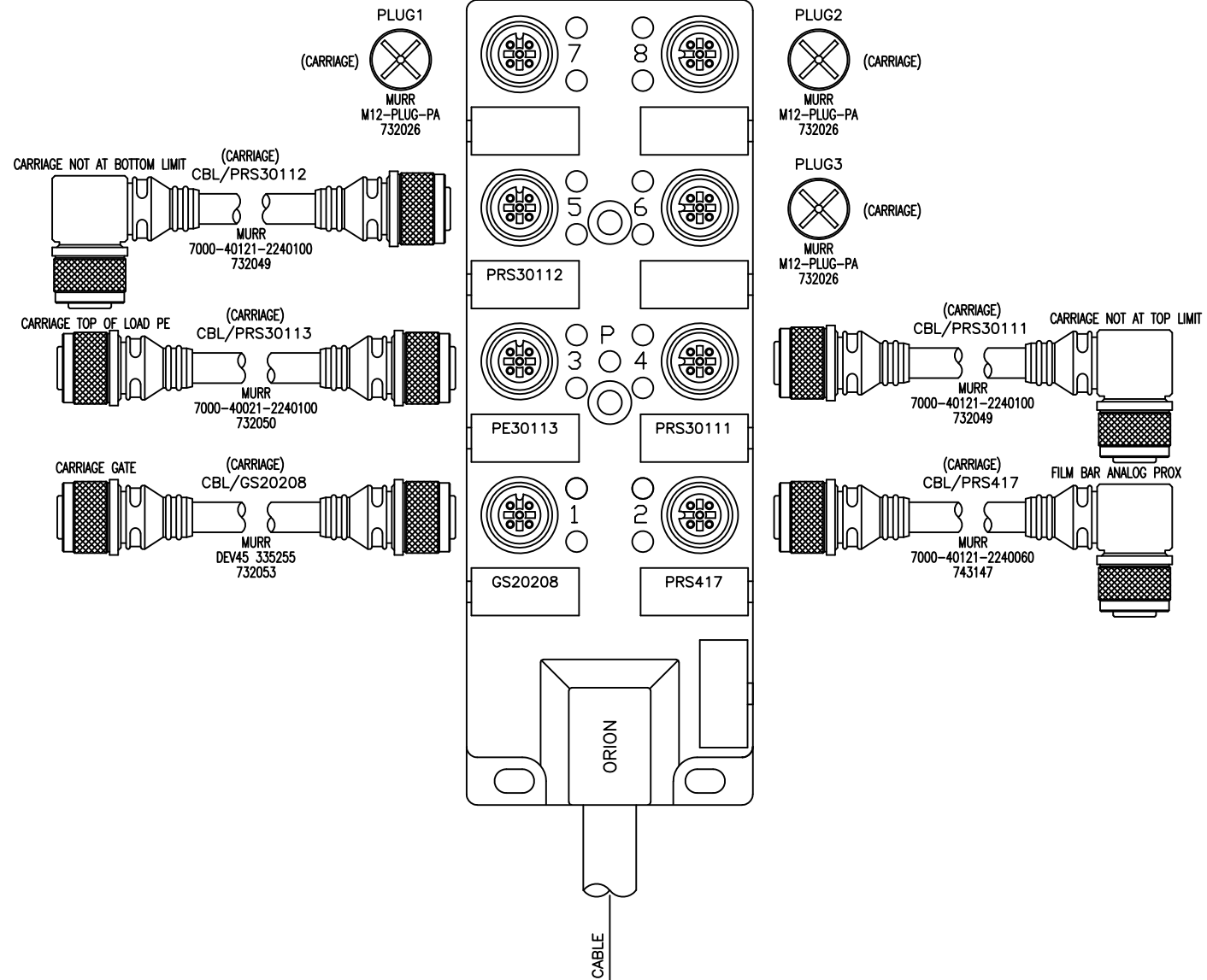
DWG NO  
**758112-T**

SHEET NO  
**12 OF 24**

C:\DWG FILES\1\ELECC\Orion\FLEX 10-2022\Micro850 Flex H&L\Prints\REV B\PG12.dwg

8 PORT DISTRIBUTION BLOCK

(CARRIAGE)  
MB1



WIRE COLOR	PORT#	PIN#	DEVICE TAG	WIRE#	DESCRIPTION	I/O ADDRESS
WHITE	1	4	GS20208	30107	CARRIAGE GATE OPEN	
GRY/PNK	1	2	GS20208	20211	CARRIAGE GATE CLOSED	
GREEN	2	4				
RED/BLU	2	2	PRS417	417	ANALOG PROX	
YELLOW	3	4	PE30113	30113	CARRIAGE AUTO HEIGHT	
WHT/GRN	3	2				
GRAY	4	4				
BRN/GRN	4	2	PRS30111	30111	CARRIAGE TOP LIMIT	
PINK	5	4				
WHT/YEL	5	2	PRS30112	30112	CARRIAGE BOTTOM LIMIT	
RED	6	4				
YEL/BRN	6	2				
BLACK	7	4				
WHT/GRY	7	2				
VIOLET	8	4				
GRY/BRN	8	2				
BROWN	1 - 8	1		20005	24VDC +	
BLUE	1 - 8	3		20022	0VDC -	
GRN/YEL	1 - 8	5		GND	GROUND	

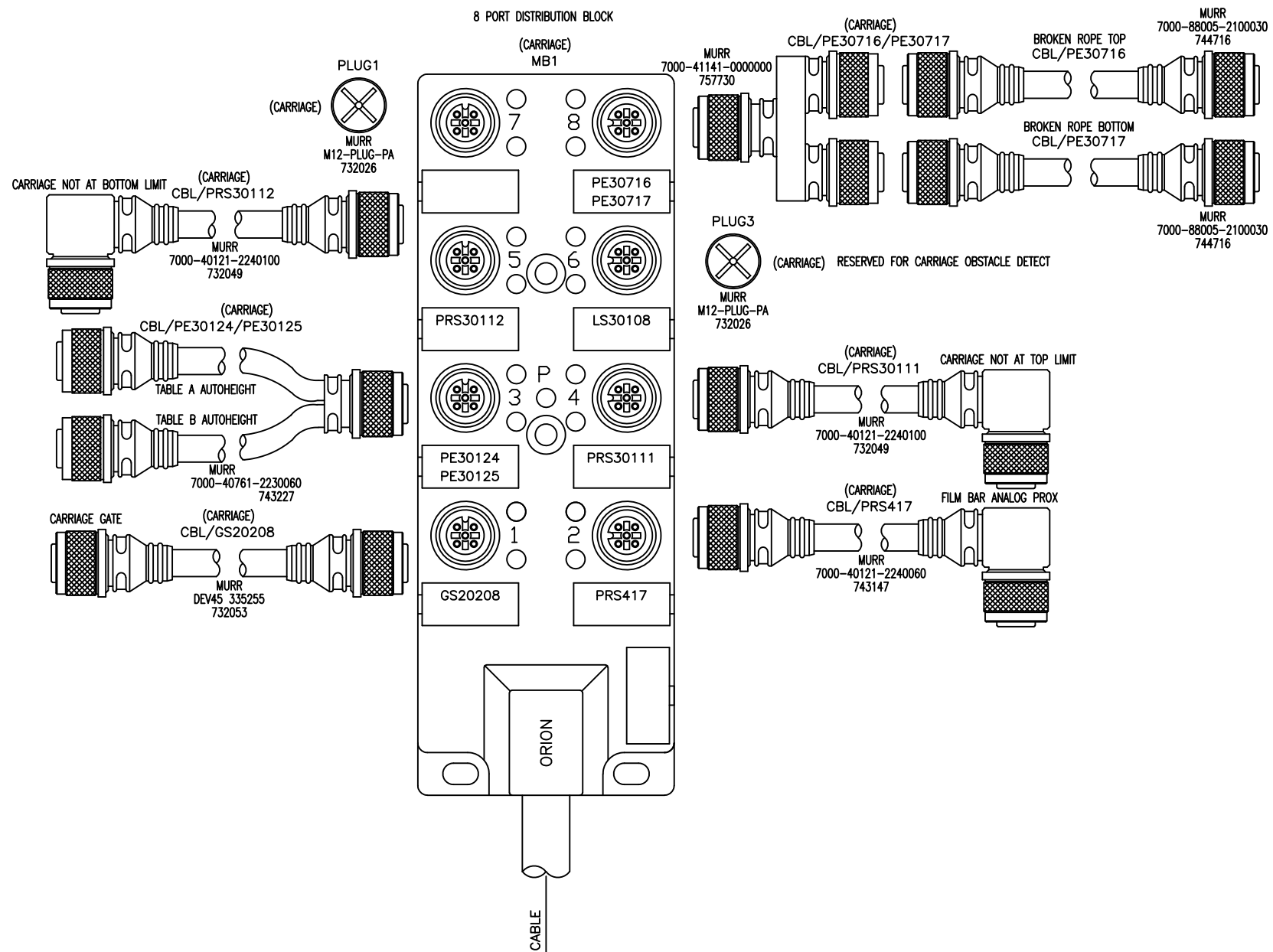
**ORION, a ProMach product brand**  
 4750 County Road 13 NE  
 Alexandria, MN 56308  
 PH 800-535-2730


DWG TITLE  
**FLEX (STANDARD)  
 HPA/LPA/HPD/LPD  
 CARRIAGE I/O BLOCK  
 STANDARD LAYOUT**

ENGINEER	CHECKED BY
JOB NO 758112	DRAWN BY DRV
SCALE NO SCALE	DATE 8/23/2022
DWG NO 758112-T	
SHEET NO 13 OF 24	

REVISION TABLE			
NO.	DATE	DESCRIPTION	BY:

CAD DWG FILE I:\ELEC\Orion\FLEX 10-2022\Micro850 Flex H&L\Prints\REV B\PG13.dwg



WIRE COLOR	PORT#	PIN#	DEVICE TAG	WIRE#	DESCRIPTION	I/O ADDRESS
WHITE	1	4	GS20208	30107	CARRIAGE GATE OPEN	
GRY/PNK	1	2	GS20208	20210	CARRIAGE GATE CLOSED	
GREEN	2	4				
RED/BLU	2	2	PRS417	417	ANALOG PROX	
YELLOW	3	4	PE30124	30124	TABLE A AUTO HEIGHT	
WHT/GRN	3	2	PE30125	30125	TABLE B AUTO HEIGHT	
GRAY	4	4				
BRN/GRN	4	2	PRS30111	30111	CARRIAGE TOP LIMIT	
PINK	5	4				
WHT/YEL	5	2	PRS30112	30112	CARRIAGE BOTTOM LIMIT	
RED	6	4	LS30108	30108	CARRIAGE OBS. DETECT	(CHAIN LIFT)
YEL/BRN	6	2				
BLACK	7	4				
WHT/GRY	7	2				
VIOLET	8	4	PE30716	30716	BROKEN ROPE TOP/BOTTOM	(SPLIT ROPE)
GRY/BRN	8	2				
BROWN	1 - 8	1		20005	24VDC +	
BLUE	1 - 8	3		20022	0VDC -	
GRN/YEL	1 - 8	5		GND	GROUND	

REVISION TABLE			
NO.	DATE	DESCRIPTION	BY:

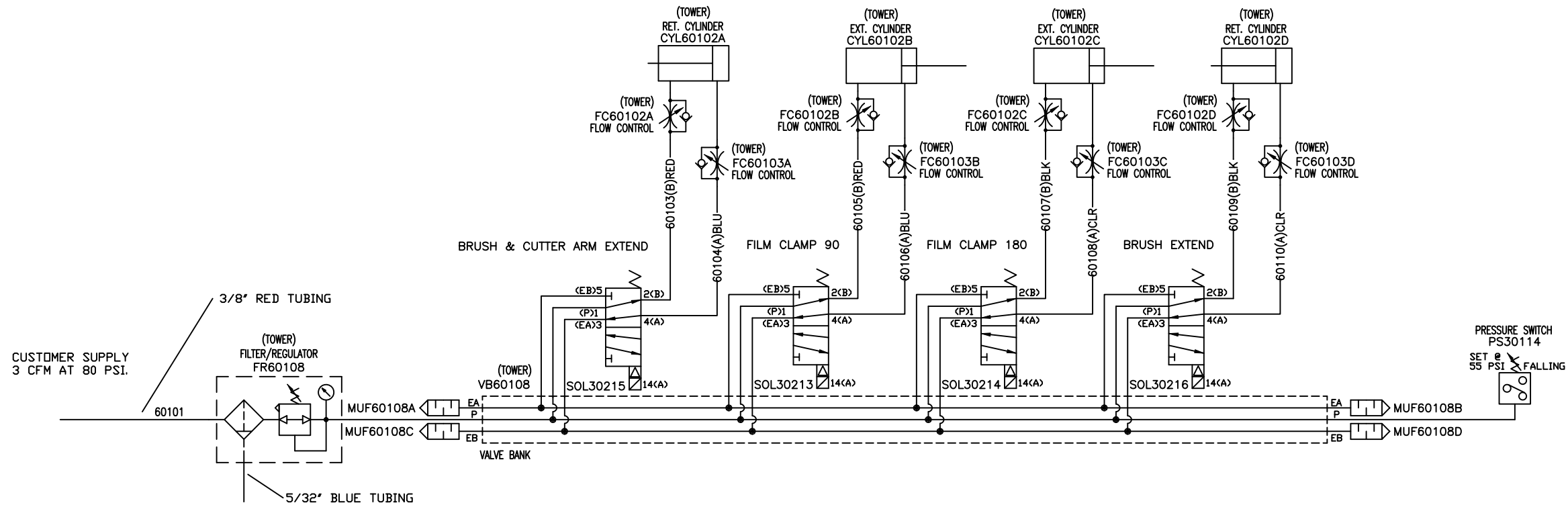
C:\DWG FILES\1\ELECC\Orion\FLEX 10-2022\Micro850 Flex H&L\Prints\REV B\PG14.dwg

**ORION, a ProMach product brand**  
 4750 County Road 13 NE  
 Alexandria, MN 56308  
 PH 800-535-2730


DWG TITLE  
**FLEX (STANDARD)  
 HPA/LPA/HPD/LPD  
 CARRIAGE I/O BLOCK  
 WITH OPTIONS**

ENGINEER	CHECKED BY
JOB NO 758112	DRAWN BY DRV
SCALE NO SCALE	DATE 8/23/2022
DWG NO 758112-T	
SHEET NO 14 OF 24	

60100  
60101  
60102  
60103  
60104  
60105  
60106  
60107  
60108  
60109  
60110  
60111  
60112  
60113  
60114  
60115  
60116  
60117  
60118  
60119  
60120  
60121  
60122  
60123  
60124  
60125



NOTE:  
ALL TUBING FROM VALVES TO CYLINDERS 1/4" OD.  
TUBE NUMBER 60101 IS 3/8" OD.  
WHITE FITTING CAPS USE CLEAR TUBING TO CYLINDERS.  
FITTINGS TO MOUNT PRESSURE SWITCH, 3/8" NPT TO 1/4" REDUCING BUSHING AND 1/4" NPT STREET ELBOW.  
FITTING FROM FILTER REGULATOR UNIT TO MANIFOLD 3/8" NIPPLE.

**ORION, a ProMach product brand**  
4750 County Road 13 NE  
Alexandria, MN 56308  
PH 800-535-2730


DWG TITLE  
**FLEX (STANDARD)  
HPA/LPA/HPD/LPD  
PNEUMATIC  
SCHEMATIC**

ENGINEER	CHECKED BY
JOB NO 758112	DRAWN BY DRV
SCALE NO SCALE	DATE 8/23/2022

DWG NO  
**758112-T**

SHEET NO  
**15 OF 24**

CAD DWG FILE I:\ELEC\Orion\FLEX 10-2022\Micro850 Flex H&L\Prints\REV B\PG15.dwg

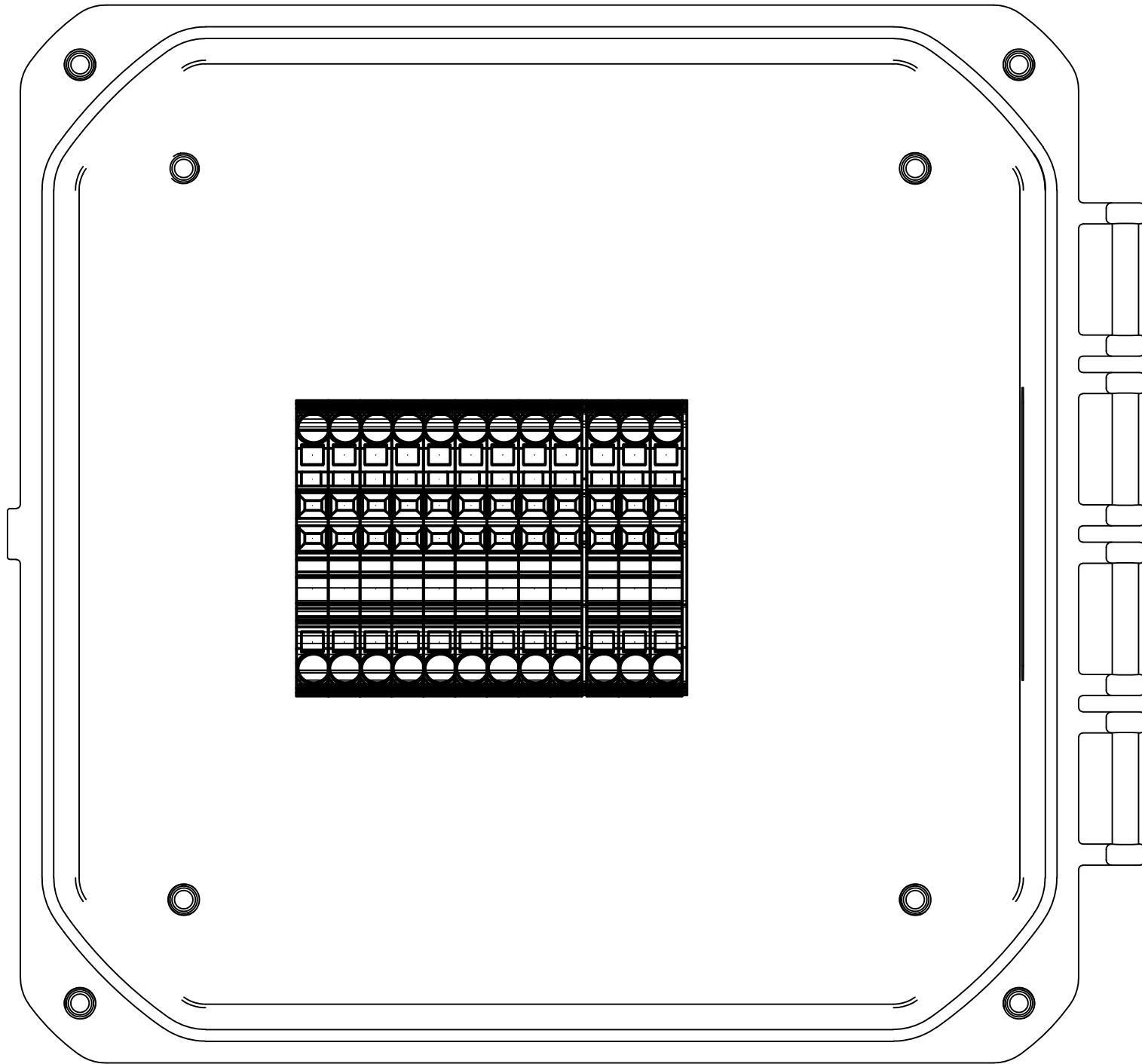






INTEGRATED TOP PLATEN OPTION

POLYCASE  
 ZH-080804  
 ZX-0808K BACKPANEL  
 HIGH POWER JUNCTION BOX



TERMINALS FROM LEFT TO RIGHT:

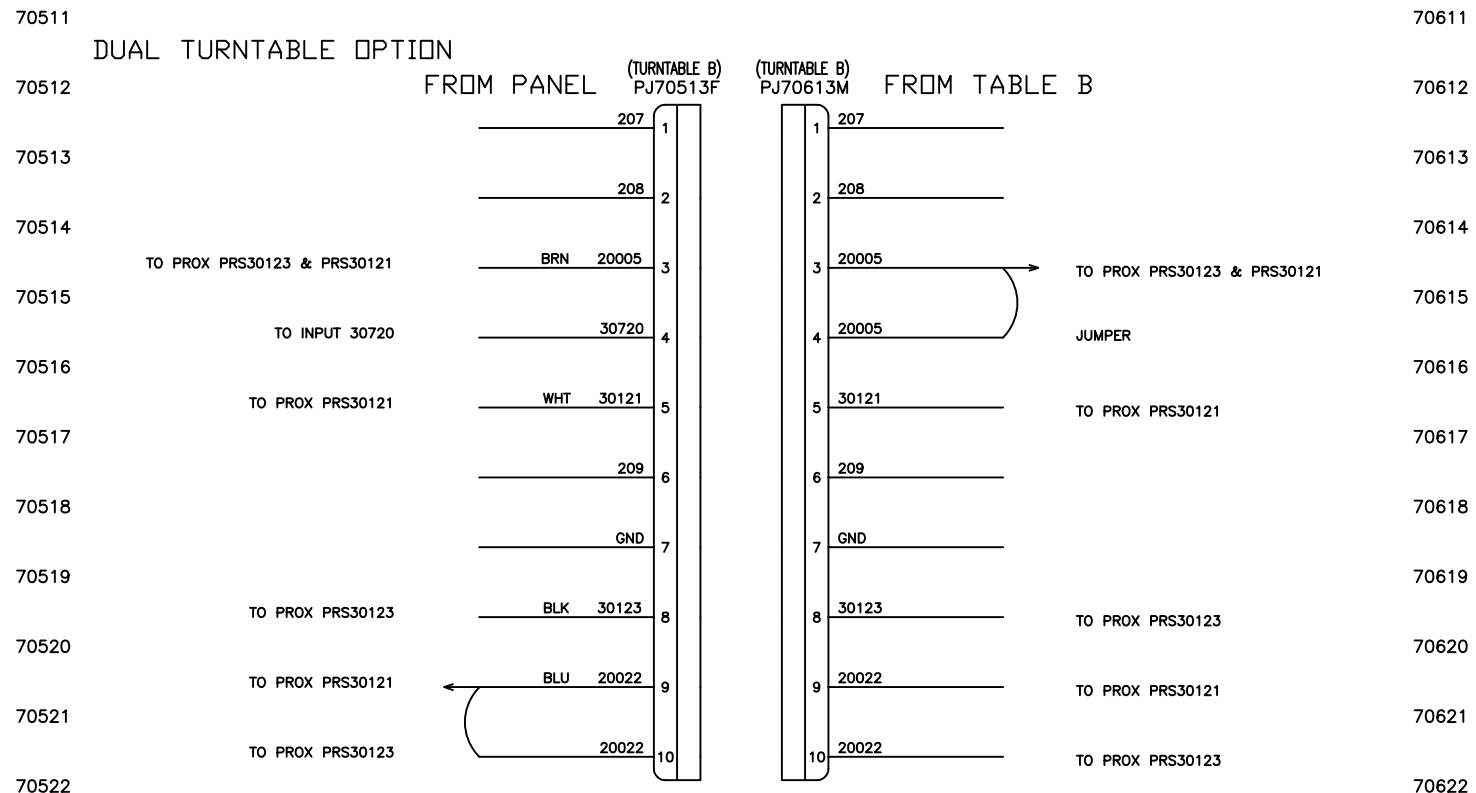
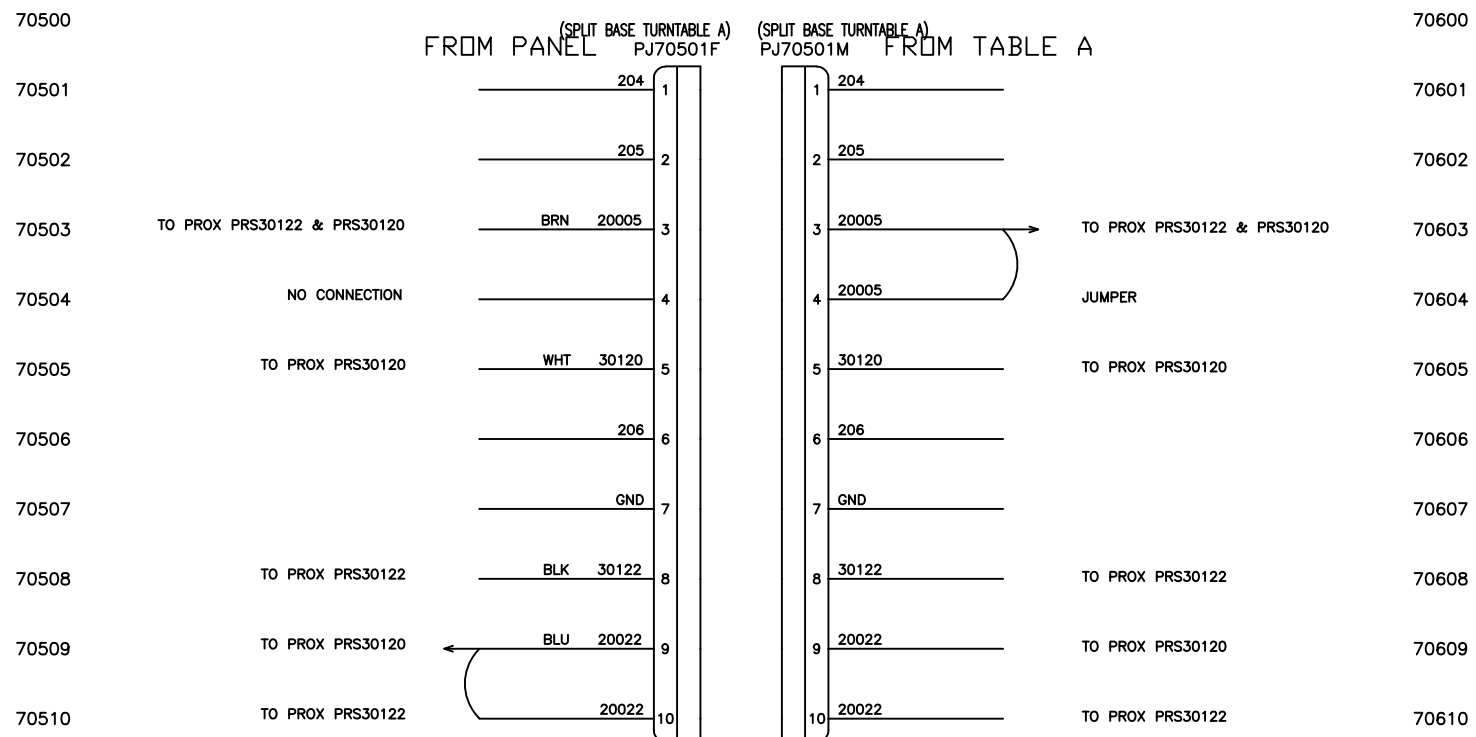
WIRE #	MOTOR #
201	MTR201
202	MTR201
203	MTR201
301	MTR301
302	MTR301
303	MTR301
401	MTR401
402	MTR401
403	MTR401
GND	
GND	
GND	

**ORION, a ProMach product brand**  
 4750 County Road 13 NE  
 Alexandria, MN 56308  
 PH 800-535-2730

CAD DWG FILE I:\ELEC\Orion\FLEX\_10-2022\Micro850 Flex H&L\Prints\REV B\PG18.dwg

DWG TITLE	
<i>FLEX (STANDARD) HPA/LPA/HPD/LPD TOP PLATEN HIGH PWR J-BOX</i>	
ENGINEER	CHECKED BY
JOB NO 758112	DRAWN BY DRV
SCALE NO SCALE	DATE 8/23/2022
DWG NO 758112-T	
SHEET NO 18 OF 24	

SPLIT BASE OPTION (HPD ONLY), DUAL TURNTABLE & EXTENDED TOWER



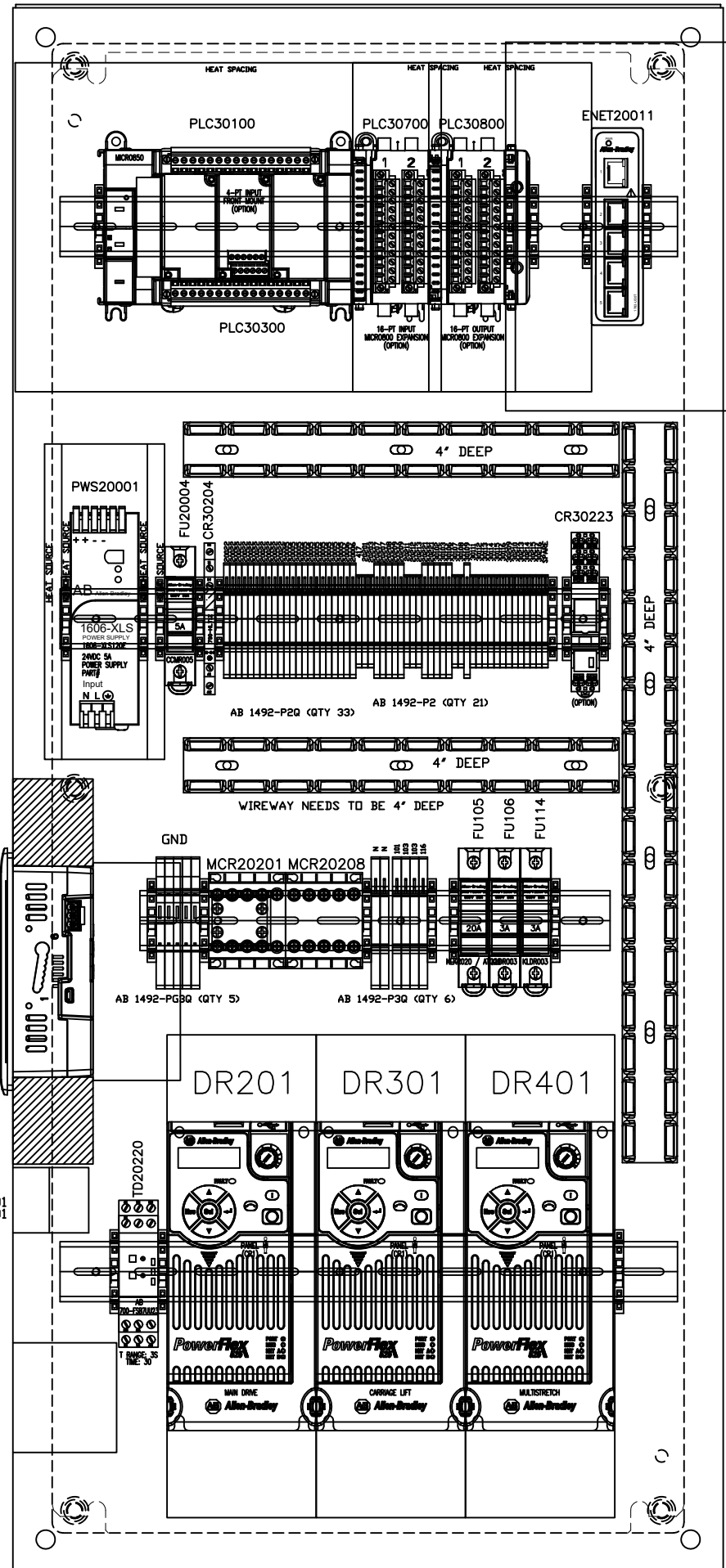
TAGS	QTY	SUB	ASSYCODE	MFG	CATALOG
PJ70501F	1	*1	748545	PHOENIX	1585359
		*1	748546	PHOENIX	1411340
		*1	748548	PHOENIX	1411354
PJ70501M	1	*1	748544	PHOENIX	1585362
		*1	748547	PHOENIX	1411338 (WITH LATCH)
		*1	748548	PHOENIX	1411354

TAGS	QTY	SUB	ASSYCODE	MFG	CATALOG
PJ70513F	1	*1	748545	PHOENIX	1585359
		*1	748546	PHOENIX	1411340
		*1	748548	PHOENIX	1411354
PJ70513M	1	*1	748544	PHOENIX	1585362
		*1	748547	PHOENIX	1411338 (WITH LATCH)
		*1	748548	PHOENIX	1411354

**ORION, a ProMach product brand**  
 4750 County Road 13 NE  
 Alexandria, MN 56308  
 PH 800-535-2730

CAD DWG FILE I: \ELECC\Orion\FLEX 10-2022\Micro850 Flex H&L\Prints\REV B\PG19.dwg

DWG TITLE	
<b>FLEX (STANDARD) HPA/LPA/HPD/LPD DUAL TURNTABLE OPTION</b>	
ENGINEER	CHECKED BY
JOB NO 758112	DRAWN BY DJV
SCALE NO SCALE	DATE 8/23/2022
DWG NO	
758112-T	
SHEET NO	
19 OF 24	



Installation: PANEL			Location: (CP1)			
TAGS	QTY	SUB	ASSYCODE	MFG	CATALOG	DESCRIPTION
AH30209	1		729175	AB	855EC-B24D3P1	
CR30204	1		715634	AB	700-HLT1Z24	HL TYPE TERMINAL BLOCK RELAY
CR30223	1		742987 (DUAL TT)	PHOENIX	2903334	
DR201	3	#1	741206	AB	25B-V4P8N104	
DR301						
DR401						
DS104	1		759590	AB	194E-E25-1753-6N	
HMI20101	1	#1	758103	AB	2711R-T7T	
		#1	740608	AB	1585J-M4HBJM-2	
ENET20011	1		742270	AB	1783-US5T	
FU105	1	#1	759592	AB	1492-FB1C30	1 POLE FUSE BLOCK - CLASS CC
FU106	2	#1	759592	AB	1492-FB1C30	1 POLE FUSE BLOCK - CLASS CC
FU114						
		#1	731039	LITTELFUSE	KLDR003	
FU20004	1	#1	759591	AB	1492-FB1M30	1 POLE FUSE BLOCK - MIDGET FUSE
		#1	730999	LITTELFUSE	CCMR005	
CBL101	1		759593	CORD-SETS	VANI2385-20P	INSTALLED BY DRION, SUPPLIED BY VAN METER.
HTR115	1		732018	OMEGA	CSF06006011000	
LT30225	1	#1	728588	AB	855E-24DN3	CONTROL TOWER LIGHT MODULE, 50mm, 855E
		#1	728173	AB	855E-BCBC	
MCR20201	1	#1	759587	AB	100-K09ZJ10	100-K MCS MINI CONTACTOR, SCREW TYPE TERMINALS, 9A, SYSTEM CONTROL VOLTAGE: 24 (17...30)V DC, 3 NO MAIN CONTACTS, 1 NO AUX CONTACT
		#1	759588	AB	100-KFC40	
MCR20208	1	#1	759587	AB	100-K09ZJ10	100-K MCS MINI CONTACTOR, SCREW TYPE TERMINALS, 9A, SYSTEM CONTROL VOLTAGE: 24 (17...30)V DC, 3 NO MAIN CONTACTS, 1 NO AUX CONTACT
ESLT20208	1	#1	724097	AB	800FP-LMP44	
		#1	724516	AB	800F-PN3R	
		#1	724103	AB	800F-X01	800F CONTACT BLOCK
		#1	724104	AB	800F-X10	800F CONTACT BLOCK
PBLT20201	1	#1	724117	AB	800FP-LF3	
		#1	724770	AB	800F-PN3G	
		#2	724104	AB	800F-X10	800F CONTACT BLOCK
PLC30400	2		7xxxxx	AB	10000112527	
PLC30500						
PLC30800	1		758111	AB	2085-DW16	
PLC30700	1		758109	AB	2085-IQ16	
PLC30100	1	#1	758105	AB	2080-L50E-24QWB	
		#1	741033	AB	1585J-M4HBJM-1	
PLC30300	1		758107	AB	2080-IQ4	
PWS20001	1		740709	AB	1606-XLS120E	SWITCHED MODE POWER SUPPLY, 1606 SERIES
SU118	1		745572	RK ELECTRONICS	RCS1A-6	
TD20220	1		759589	AB	700-FSB7UU23	
Installation: PANEL			Location: (CP5)			
TAGS	QTY	SUB	ASSYCODE	MFG	CATALOG	DESCRIPTION
PBLT30713	1	#1	724122	AB	800FP-F2	
		#1	724102	AB	800F-ALP	800F MOUNTING LATCH
		#1	724104	AB	800F-X10	800F CONTACT BLOCK
		#1	707220	HOFFMAN	E2PBGXM	
PBLT30714	1	#1	724122	AB	800FP-F2	
		#1	724102	AB	800F-ALP	800F MOUNTING LATCH
		#1	724104	AB	800F-X10	800F CONTACT BLOCK

**ORION, a ProMach product brand**  
 4750 County Road 13 NE  
 Alexandria, MN 56308  
 PH 800-535-2730

DWG TITLE

FLEX (STANDARD)  
 HPA/LPA/HPD/LPD  
 (CP1) BACKPANEL AND  
 PANEL BOM

ENGINEER	CHECKED BY
JOB NO 758112	DRAWN BY DRV
SCALE NO SCALE	DATE 8/23/2022
DWG NO	
758112-T	
SHEET NO	20 OF 24

CAD DWG FILE I:\ELEC\Orion\FLEX 10-2022\Micro850 Flex H&L\Prints\REV B\PG20.dwg





Installation: FIELD		Location: (BASE)				
TAGS	QTY	SUB	ASSYCODE	MFG	CATALOG	DESCRIPTION
MTR202 MTR206 BRK30211 BRK30809	5		SEE	MECHANICAL	BDM	
PRS30103	1	*1	SEE	LISTED	OPTIONS	
		*1	712251 (LPD/LPA)	SICK	1040780/IME12-08NPSZCDS	
		*1	728707 (HPD/HPA)	SICK	1041046/IME30-20NPSZCDS	
		*1	738870	MURR	7000-12221-0140500	
PRS30122 PRS30123	2	*1	SEE	LISTED	OPTIONS	
		*1	728707 (HPD/HPA)	SICK	1041046/IME30-20NPSZCDS	
		*1	712251 (LPD/LPA)	SICK	1040780/IME12-08NPSZCDS	
		*1	738870	MURR	7001-12221-0140500	
PRS30102 PRS30120 PRS30121	3	*1	712251	SICK	1040780/IME12-08NPSZCDS	
		*1	738870	MURR	7000-12221-0140500	
CBL201 CBL205	3	*0	730915	SOUTH WIRE	16/4 SLEDDW	

Installation: FIELD		Location: (TOWER)				
TAGS	QTY	SUB	ASSYCODE	MFG	CATALOG	DESCRIPTION
VB60108	1		728599	SMC	SS5Y5-20-04-00T	
FC60102B FC60103A	2	*1	735512	SMC	AS2201F-N01-07SD	
		*1	743169	SMC	KQ2C-07BU-B	
FC60102C FC60102D	2	*1	735512	SMC	AS2201F-N01-07SD	
		*1	743170	SMC	KQ2C-07B-B	
FC60102A FC60103B	2	*1	735512	SMC	AS2201F-N01-07SD	
		*1	743172	SMC	KQ2C-07R-B	
FC60103C	1	*1	735512	SMC	AS2201F-N01-07SD	
		*1	743171	SMC	KQ2C-07W-B	
FC60103D	1	*1	735512	SMC	AS2201F-N01-07SD	
		*1	742171	SMC	KQ2C-07W-B	
WRC20113	1	*1	752722	TELE RADIO	PN-R8-1	
		*1	752721	TELE RADIO	PN-T13-3	
		*1	752068	TELE RADIO	F-200103-1V1	
FR60108	1		728999	SMC	AW20-N02CE-CZ-B	
LS30108	1	*1	747573	SUNS	SN3108-SP-D	
		*1	738870	MURR	7000-12221-0140500	
MUF60108A MUF60108B MUF60108C MUF60108D	4		TBD	TBD	TBD	
HES30115	1	*1	731131	FESTO	152820/SME-8-K-LED-230	
		*1	731132	FESTO	538937/SMBR-8-8/100-S6	
CYL60102A CYL60102B CYL60102C CYL60102D HW121 MTR302	6		SEE	MECHANICAL	BDM	
PS30114	1		721162	SMC	IS10-N01-6LP	
SDL30213 SDL30214 SDL30215 SDL30216	4	*1	743527	SMC	SY3120-5LNZ-N7	
		*1	743529	SMC	SY100-68-A-25	
SDL30802	1	*1	721152	SMC	SV3100-5W1U-03N	
		*1	738870	MURR	7001-12221-0140500	
CBL119	1	*0	727500	CABLE	18/3 SJEDDW	
CBL121	1	*0	743010	CABLE	18/2 SJDDW	
CBL301	1	*0	730915	SOUTH WIRE	16/4 SLEDDW	
CBL117	1	*0	TBD	TBD	TBD	
XF118	1		019387	SQUARE D	250SV43B	

Installation: FIELD		Location: (CARRIAGE)				
TAGS	QTY	SUB	ASSYCODE	MFG	CATALOG	DESCRIPTION
MB1	1		732045	MURR	8000-88510-3980500	
GS20201	1	*1	739147	SICK	1059505/RE21-SAC	
		*1	732052	MURR	DEV45	
PE30113	1	*1	SEE	LISTED	OPTIONS	
		*1	754374 (STANDARD)	SICK	1222711/WTB26I-24161420A00	
		*1	731972 (DARK LOAD)	SICK	1019229/WT34-B410	
		*1	732050	MURR	7000-40021-2240100	
PE30716	1	*1	731644	SICK	6028440/WF50-60B410	
		*1	744716	MURR	7000-88005-2100030	
		*1	757730	MURR	7000-41141-0000000	
		*1	743150	MURR	7000-40021-2240030	
PE30717	1	*1	731644	SICK	6028440/WF50-60B410	
		*1	744716	MURR	7000-88005-2100030	
PE30125	1		731972	SICK	1019229/WT34-B410	
PE30124	1	*1	731972	SICK	1019229/WT34-B410	
		*1	743227	MURR	7000-40761-2230060	
PRS417	1	*1	731785	IFM	IG6083	
		*1	743147	MURR	7000-40121-2240060	
PRS30111 PRS30112	2	*1	731955	SICK	1041033/IME30-15BPD-ZCOK	
		*1	732049	MURR	7000-40121-2240100	
MTR402 SDL117	2		SEE	MECHANICAL	BDM	
CBL401	1	*0	739676	LUTZE	111371	

Installation: FIELD		Location: (FENCE)				
TAGS	QTY	SUB	ASSYCODE	MFG	CATALOG	DESCRIPTION
LC20300	1	*1	732249	BANNER	SLPP25-1110P88	
		*2	730973	BANNER	QDE-815D	
PE20201 PE20202 PE20203 PE20204	4		759585	SICK	1125850/GL10-R9811P16	

Installation: FIELD		Location: (MISC)				
TAGS	QTY	SUB	ASSYCODE	MFG	CATALOG	DESCRIPTION
FTS30719	1		733426	LINE MASTER	936-SWH	
PCS20205	1		017065	REES	04958-100	

Installation: FIELD		Location: (PLATEN)				
TAGS	QTY	SUB	ASSYCODE	MFG	CATALOG	DESCRIPTION
MTR502	1		SEE	MECHANICAL	BDM	
PRS30708 PRS30710	2	*1	731955	SICK	1041033/IME30-15BPD-ZCOK	
		*1	738870	MURR	7001-12221-0140500	
PRS30711	1	*1	732379	SICK	1040938/IME18-05BPDZCDS	
		*1	738870	MURR	7001-12221-0140500	
SDL30805	1	*1	721631	SMC	SV3300-5W1U-03N	
		*1	738870	MURR	7001-12221-0140500	
CBL501	1	*0	730915	SOUTH WIRE	16/4 SLEDDW	

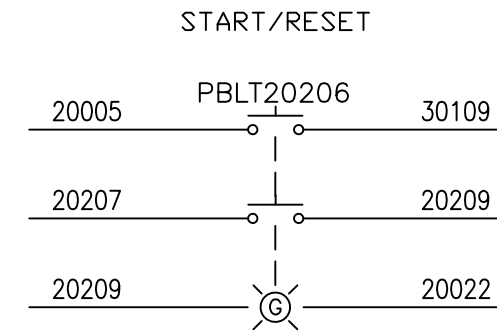
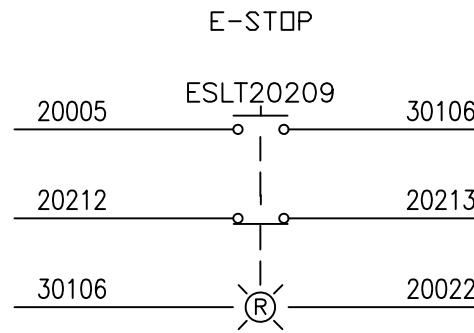
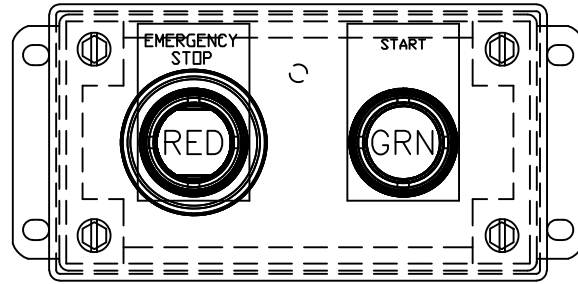
**ORION, a ProMach product brand**  
 4750 County Road 13 NE  
 Alexandria, MN 56308  
 PH 800-535-2730

i:\ELEC\Orion\FLEX 10-2022\Micro850 Flex H&L\Prints\REV B\PG23.dwg

DWG TITLE	
FLEX (STANDARD) HPA/LPA/HPD/LPD MACHINE FIELD AND CARRIAGE BOM	
ENGINEER	CHECKED BY
JOB NO 758112	DRAWN BY DRV
SCALE NO SCALE	DATE 8/23/2022
DWG NO 758112-T	
SHEET NO 23 OF 24	

(CP4) REMOTE E-STOP AND START/RESET OPTION

E2PBGXM



TAGS	QTY	SUB	ASSYCODE	MFG	CATALOG
CP4	1	*1	707220	HOFFMAN	E2PBGXM
ESLT20209	1	*1	724097	AB	800FP-LMP44
		*1	724516	AB	800F-PN3R
		*1	724103	AB	800F-X01
		*1	724104	AB	800F-X10
PBLT20206	1	*1	724117	AB	800FP-LF3
		*1	724770	AB	800F-PN3G
		*2	724104	AB	800F-X10

**ORION, a ProMach product brand**  
 4750 County Road 13 NE  
 Alexandria, MN 56308  
 PH 800-535-2730

CAD DWG FILE I:\ELEC\Orion\FLEX 10-2022\Micro850 Flex H&L\Prints\REV B\PG24.dwg

DWG TITLE	
FLEX (STANDARD) HPA/LPA/HPD/LPD REMOTE E-STOP/START	
ENGINEER	CHECKED BY
JOB NO 758112	DRAWN BY DRV
SCALE NO SCALE	DATE 8/23/2022
DWG NO 758112-T	
SHEET NO 24 OF 24	